

# FOLI

The FOLI Acoustic Light creates a sense of calmness and elegance in any space with its soft, organic curves. Arriving flat-packed, a 2 minute video shows the installer how to assemble this super sound-absorbent light within 10 minutes.

Available in 8 colours  
Global GreenTag, Level A verified materials

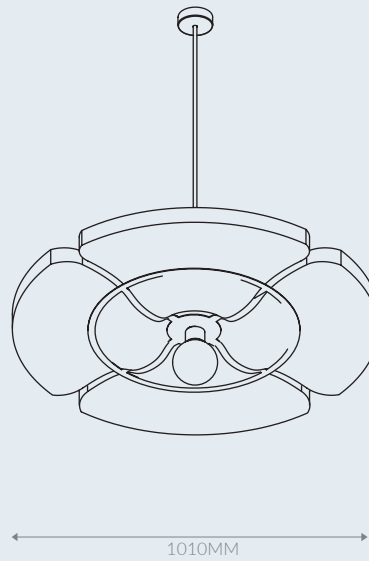
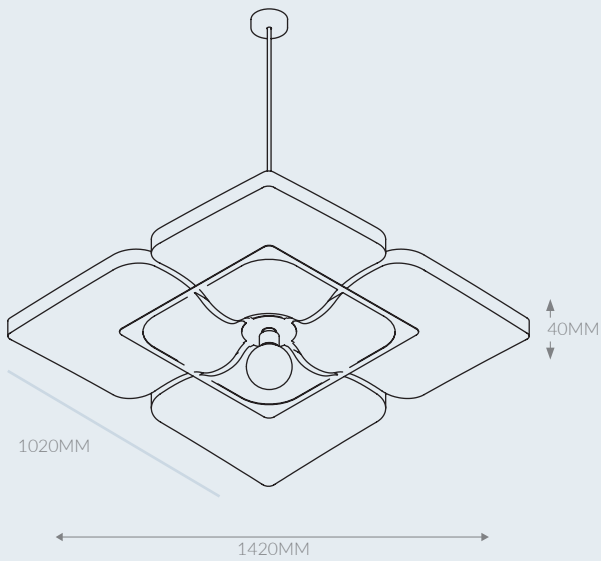
Made in Australia



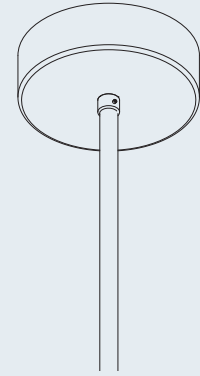
ACUSTICO  
LIGHTING

[acusticolighting.com.au](http://acusticolighting.com.au)  
[@acusticolighting](https://www.instagram.com/acusticolighting)  
03 9005 6008

## DIMENSIONS



## CANOPY DETAILS

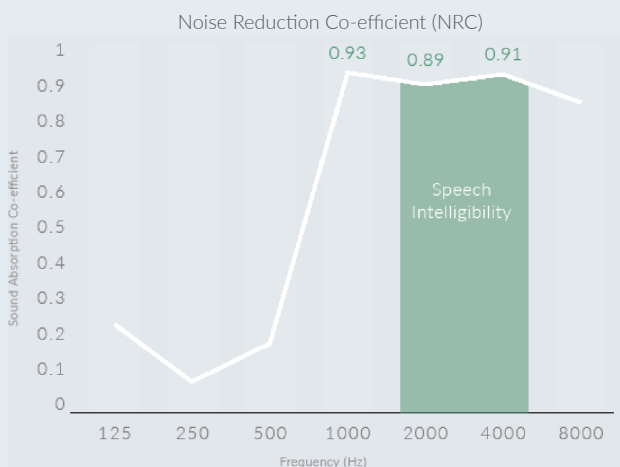


C1 comes as standard.  
Colour: Black

Input voltage: 240v  
Luminous Flux: 800 lm / 1400+ lm  
Recommended light source: 8W/12W G125 E27 Opal Matte bulb

Max 12W LED E27 bulb to be used

Colour rendering index: >90  
Suspension weight: 4kg  
Boxed weight: 4.6kg  
Colour temperature: 3000k (Warm white)



Results: Reverberation Times, Acoustic Performance and Absorption Co-efficient

Frequency (Hz)	23/10/2019 Measured Reverberation Time (seconds)	06/11/2019 Measured Reverberation Time (seconds)	Difference in acoustic performance (m <sup>2</sup> Sabin)	Calculated absorption coefficient: of tested light fittings
125	0.93	0.78	1.4	0.24
250	0.78	0.74	0.4	0.07
500	0.55	0.49	1.0	0.17
1k	0.60	0.40	5.4	0.93
2k	0.57	0.40	5.2	0.89
4k	0.60	0.47	5.3	0.91
8k	0.47	0.34	4.9	0.85

For additional information on acoustic testing please visit the Sound Lab on our website or request full testing reports.

## SPECIFYING INFORMATION

Projects are complex.

In order to preserve the correct details being passed from one contractor to the next over the course of your project, please use the following information in your schedule to specify our lights.

QUANTITY	PROFILE	LIGHT SOURCE	COLOUR	SUSPENSION WIRE KIT
<i>Eg. 3</i>	SQ	BLB 12W	OG	SWK

## SPECIFYING OPTIONS KEY

### PROFILE

SQ	Square
RND	Round

### LIGHT SOURCE

BLB 8W	Bulb E27 8W 3000k
BLB 12W	Bulb E27 12W 3000k
AC	Acoustic only (No light source)

### CANOPY COLOUR

BL	Black
----	-------

### COLOURS

OG	Olive Green
VP	Vibrant Purple
RG	Rouge
MD	Mustard
LP	Loud Pink
LH	Light Grey
BO	Burnt Orange
SB	Steel Blue

### SUSPENSION WIRE KIT (RECOMMENDED)

SWK	4x 1500mm wires with ceiling mounts
N	Not required



## FLAT PACK REQUIRES 10 MINUTE ASSEMBLY

Please scan the QR code for a guided assembly instruction video. Diagrammatic assembly instructions are included in the box.

## END-OF-LIFE MANAGEMENT PROGRAM

We ask that products are returned to Acustico Lighting.

We have agreements in place with our suppliers who commit to upcycling approximately 80% of the materials.

## SUSPENSION

### SUSPENSION

Our standard cord length is 1500mm and can be altered to the appropriate length on-site. A suspension wire kit with 4 small ceiling mounts is available and recommended for purchase (\$65 + GST) if additional stability is required (retrofitting this is possible).

Must be installed by a licenced electrician in accordance with AS/NZS 3000.

All of our products are individually assembled meaning minor variations in finish, colour and profile can occur. Slight variations are to be expected and will not be accepted as a fault or defect in the product. Colours and finishes as viewed on printed and digital sources are representative only and may not appear identical to the finished product. Acustico Lighting reserves the right to change the specification, material and colours at any time without notice. Standard warranty terms and conditions apply. All rights reserved. © June 2023

