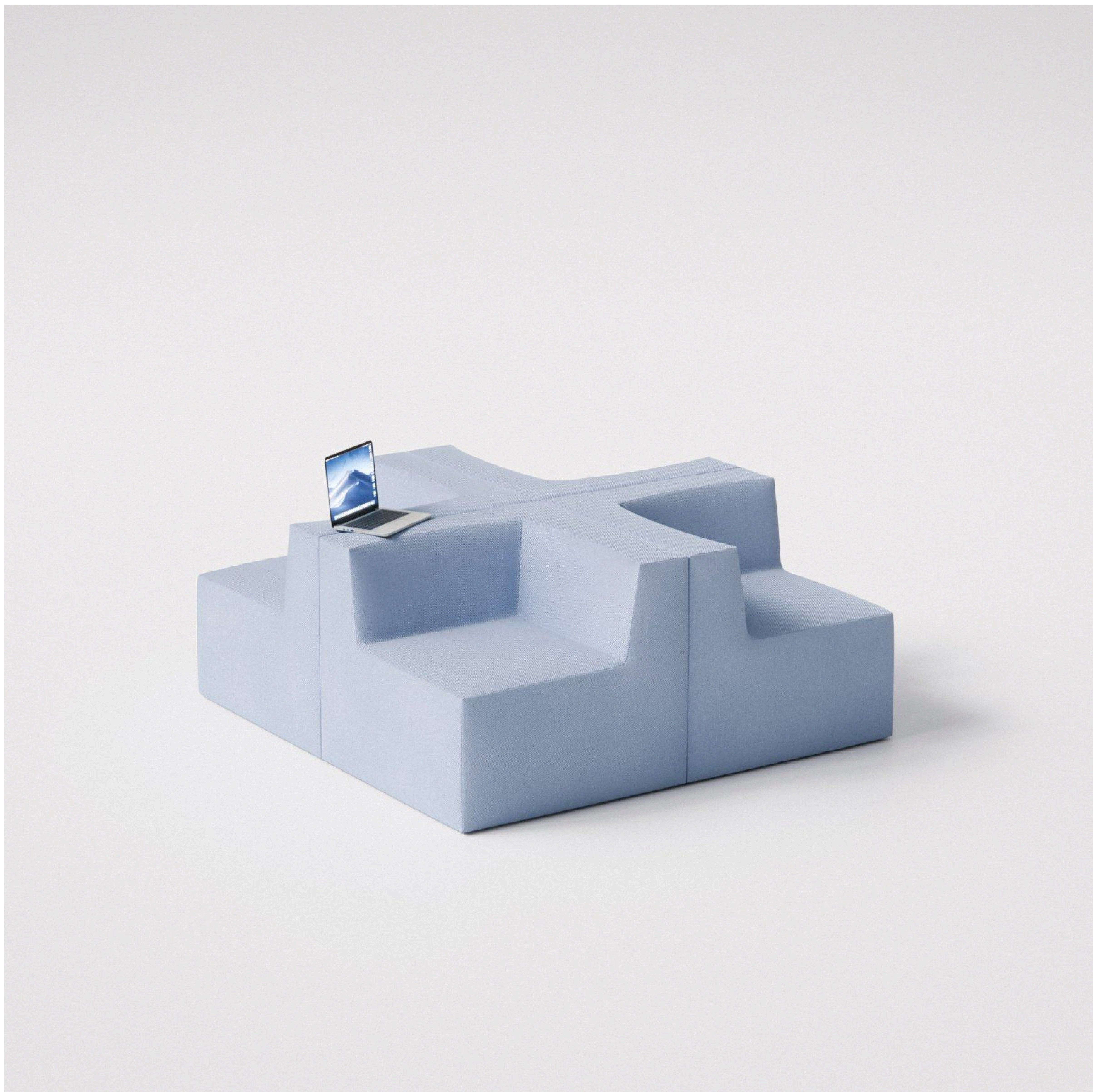


RHYTHM Seating System



Product sheet — 2026

+Halle[®]

RHYTHM Seating System is designed by Danish design duo Krøyer-Sætter-Lassen. Simple in concept, the system consists of just 4 modules that can be combined in multiple ways, forming larger configurations to suit public spaces, educational institutes, offices and more.

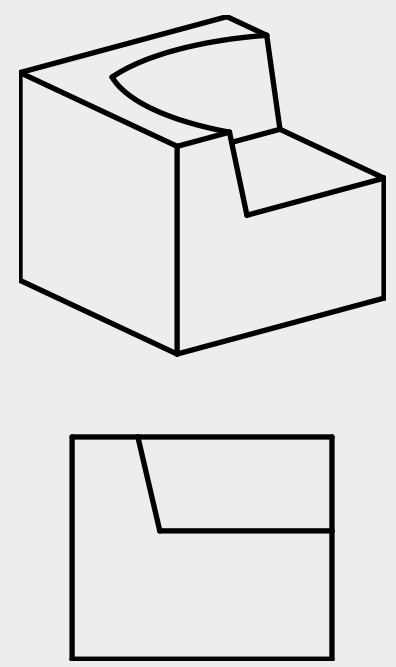
Defined by its inward, scoop-like seat, the sofa naturally outlines individual sitting areas — making it easy for people to claim a personal space, even in a shared setting. Adaptable, approachable, and without pretension, the system invites flexibility while offering a clear sense of comfort and belonging.



Designed by Krøyer—Sætter—Lassen

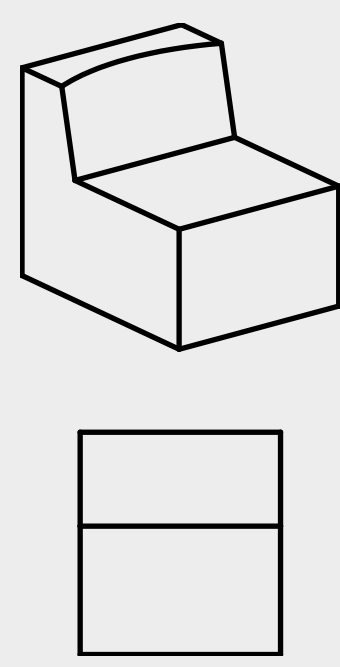
When it comes to breathing industrial cleverness into everyday objects, the Copenhagen-based Design duo belongs to a new generation of Danish designers who are not afraid to include resourcefulness into their game. While Emil Krøyer and Mads Sætter-Lassen have spent the last decade incorporating great material solutions, it is through a cross-disciplinary approach, that the duo continues to impress, combining economy with lush cabinetmaking, functional metalware, and thoughtful ergonomics.

Modules



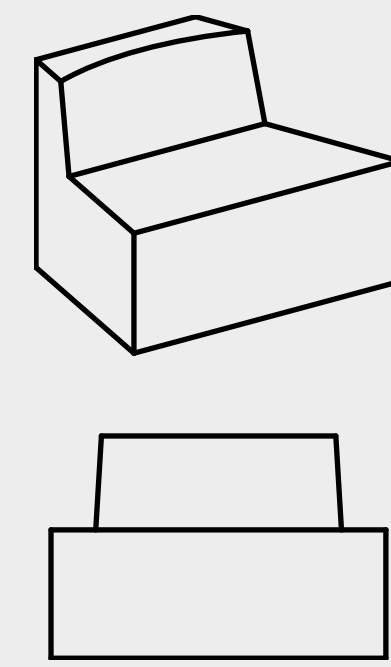
RHYTHM Corner

Height: 740mm
Depth: 830mm
Width: 830mm
Seat Height: 440mm



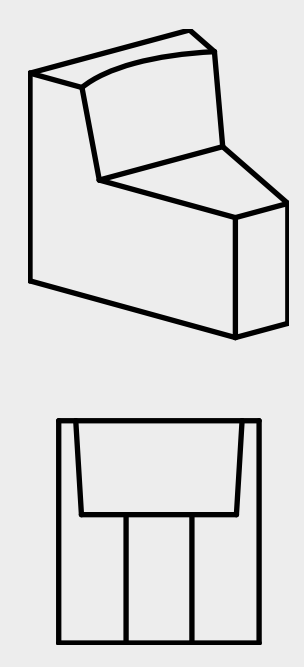
RHYTHM Center

Height: 740mm
Depth: 830mm
Width: 640mm
Seat Height: 440mm



RHYTHM Angle 30° In

Height: 740mm
Depth: 830mm
Width: 1070mm
Seat Height: 440mm



RHYTHM Angle 30° Out

Height: 740mm
Depth: 830mm
Width: 640mm
Seat Height: 440mm

Materials:

Foam / Textile / Wood (MDF) / Plastic gliders

Assembly:

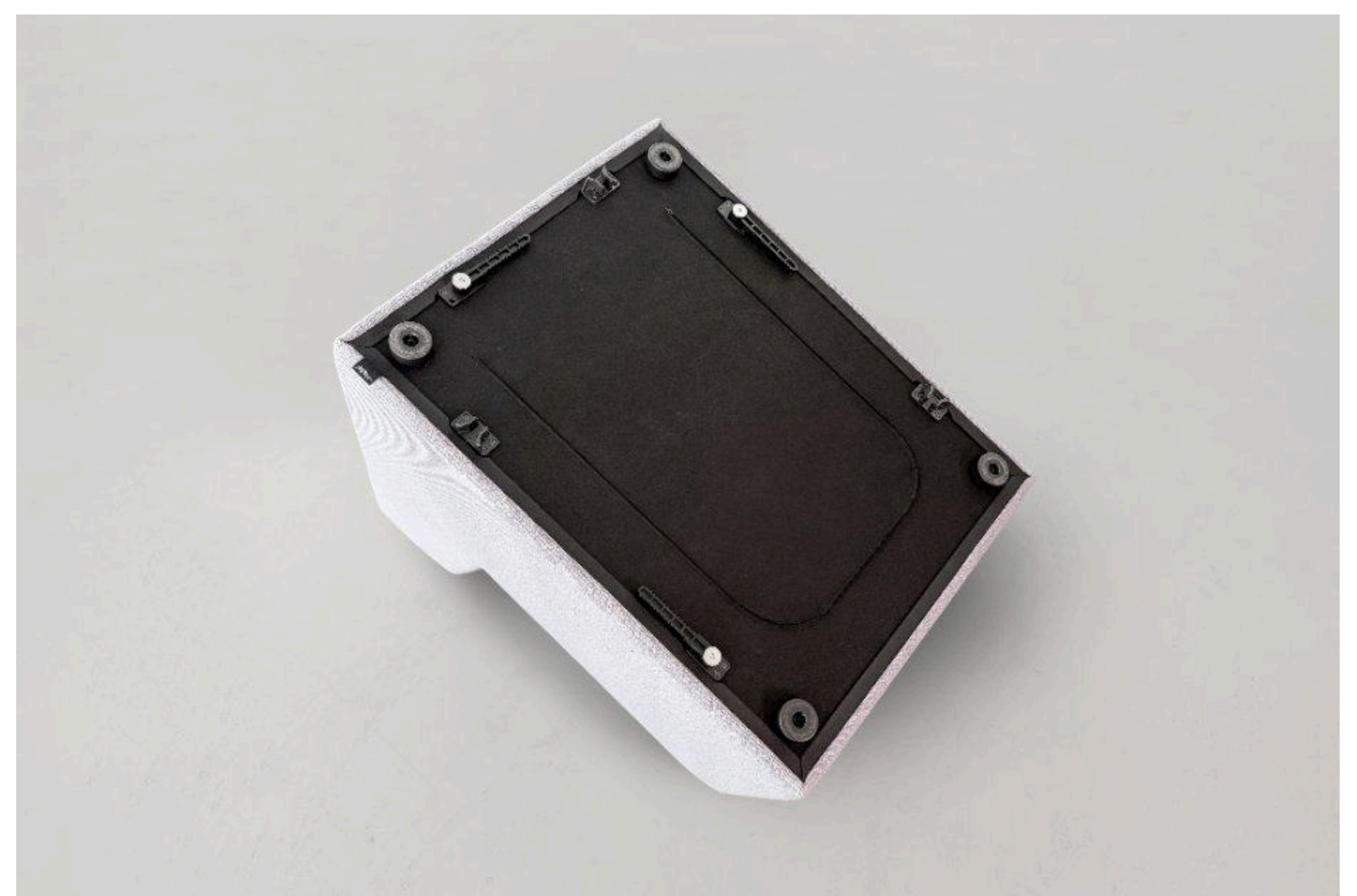
Easily assembled/disassembled with crocodile brackets underneath the modules.

Designed for disassembly:

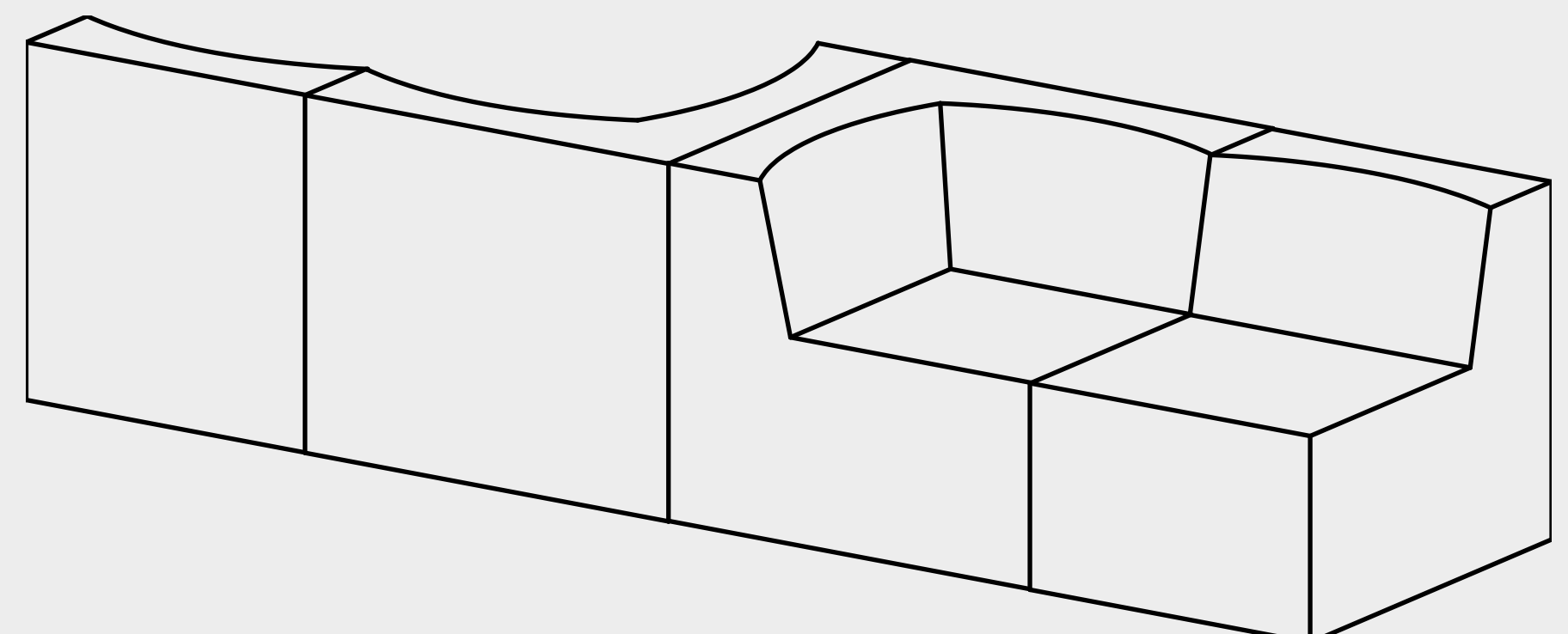
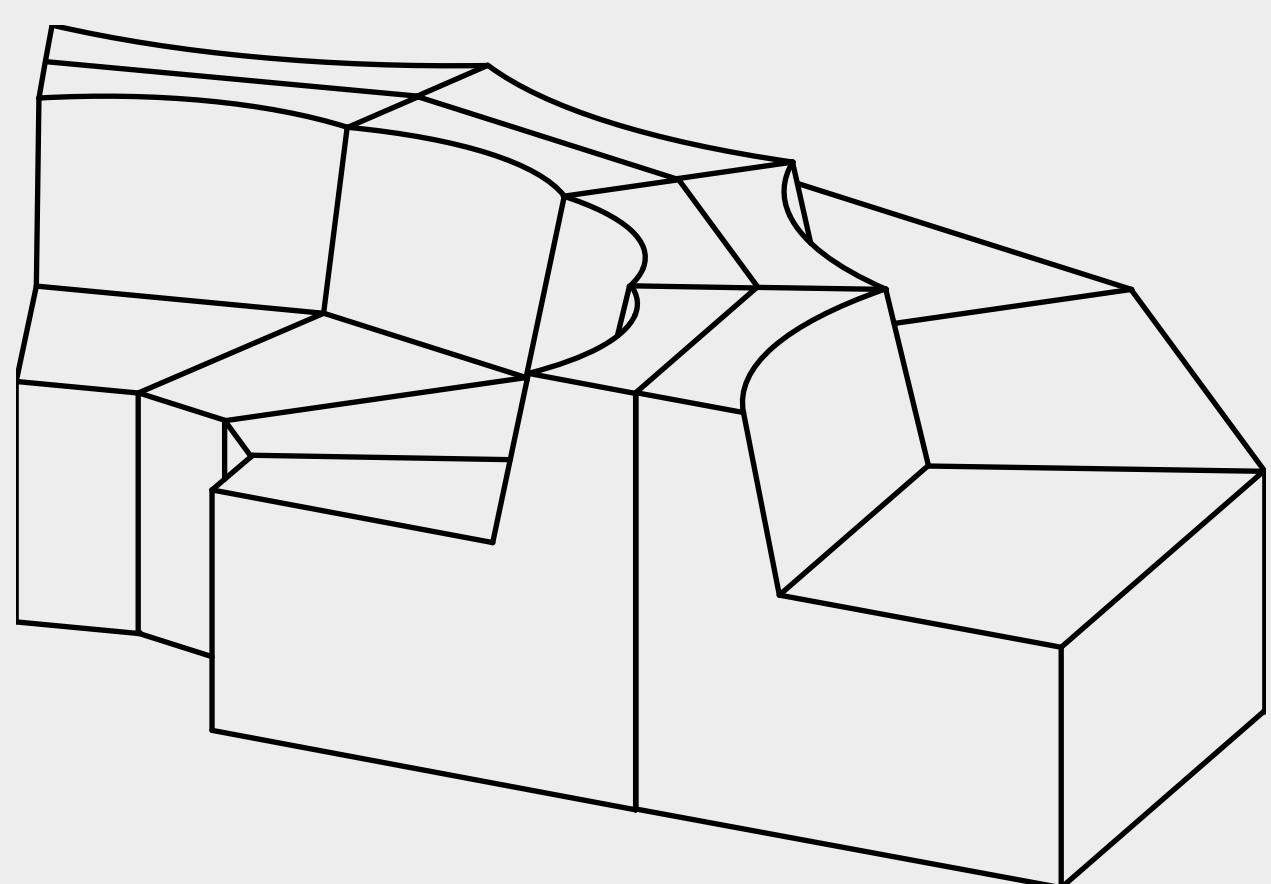
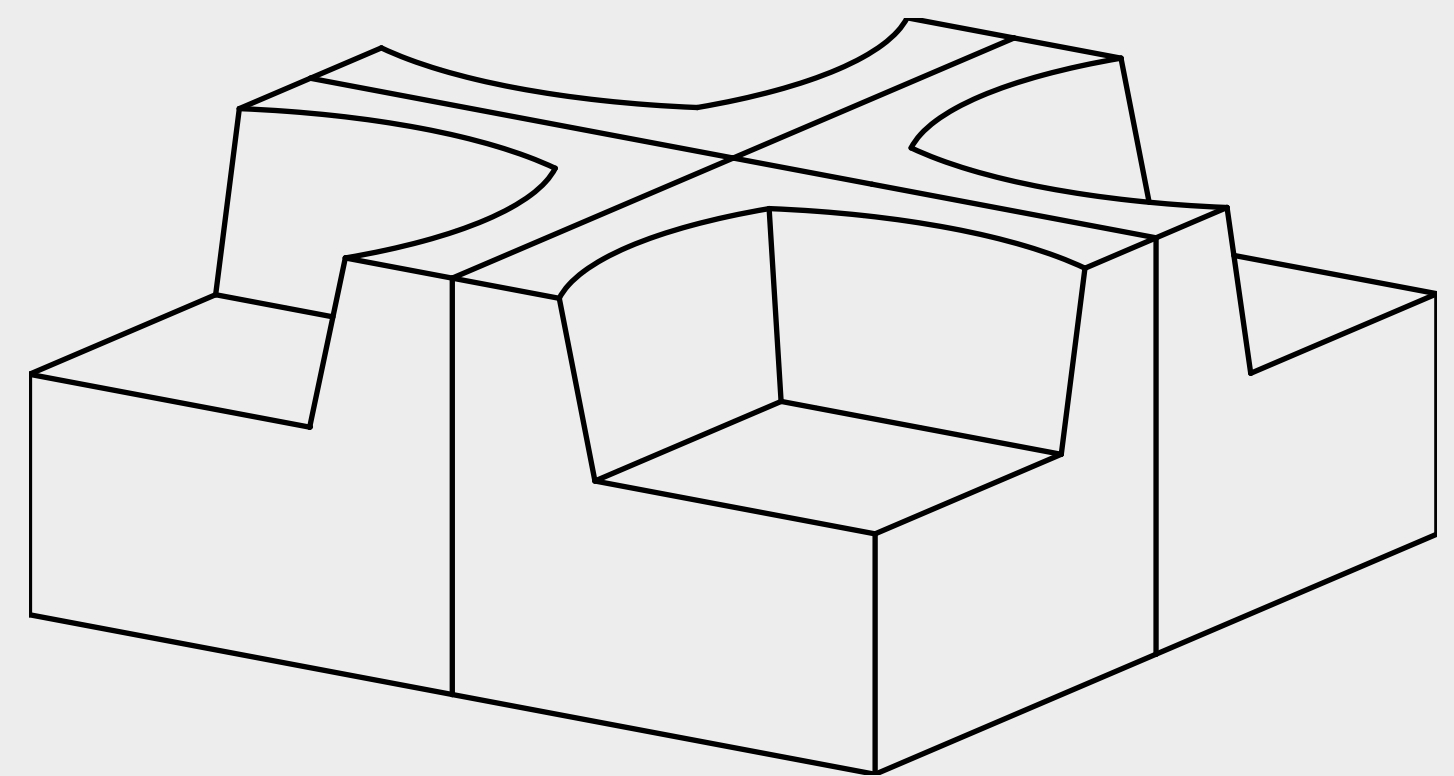
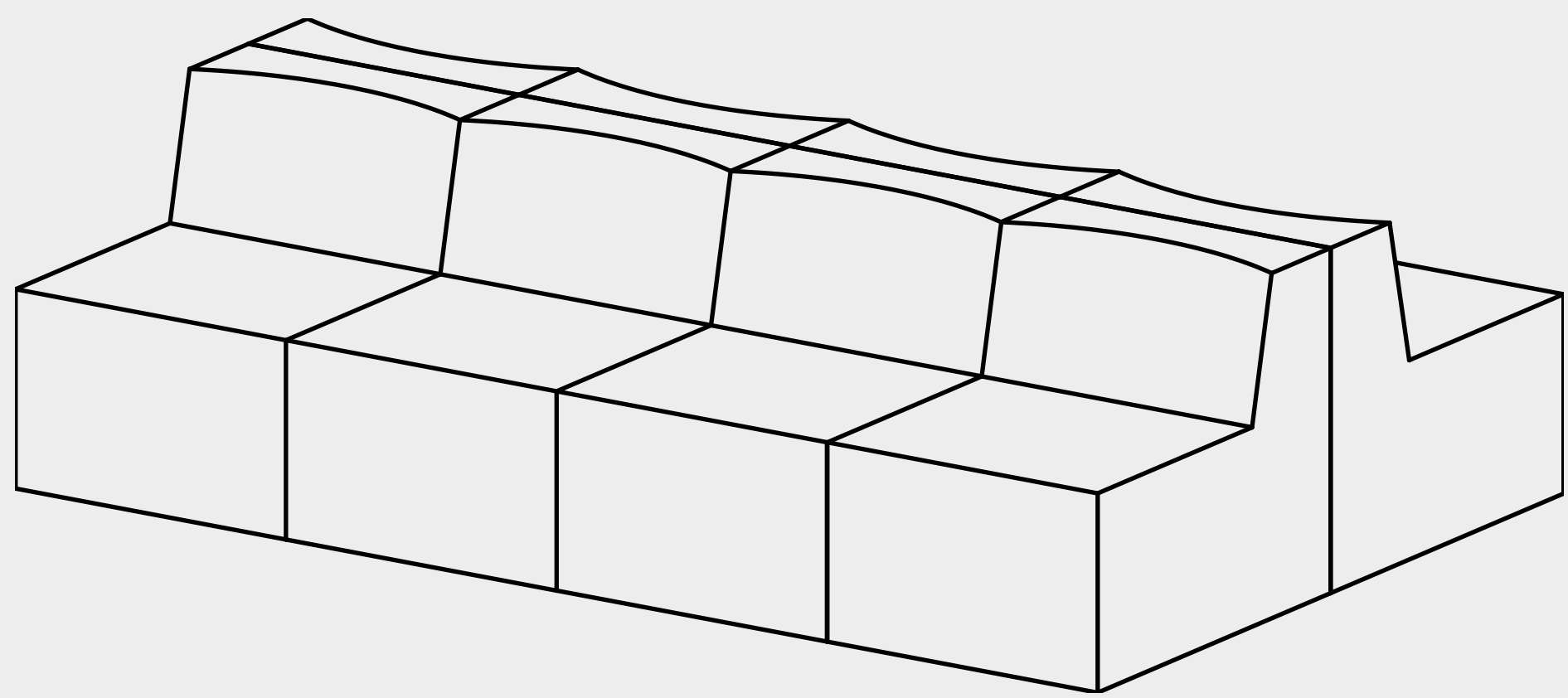
You can remove the textile for cleaning, replacement or disposal.

Certifications:

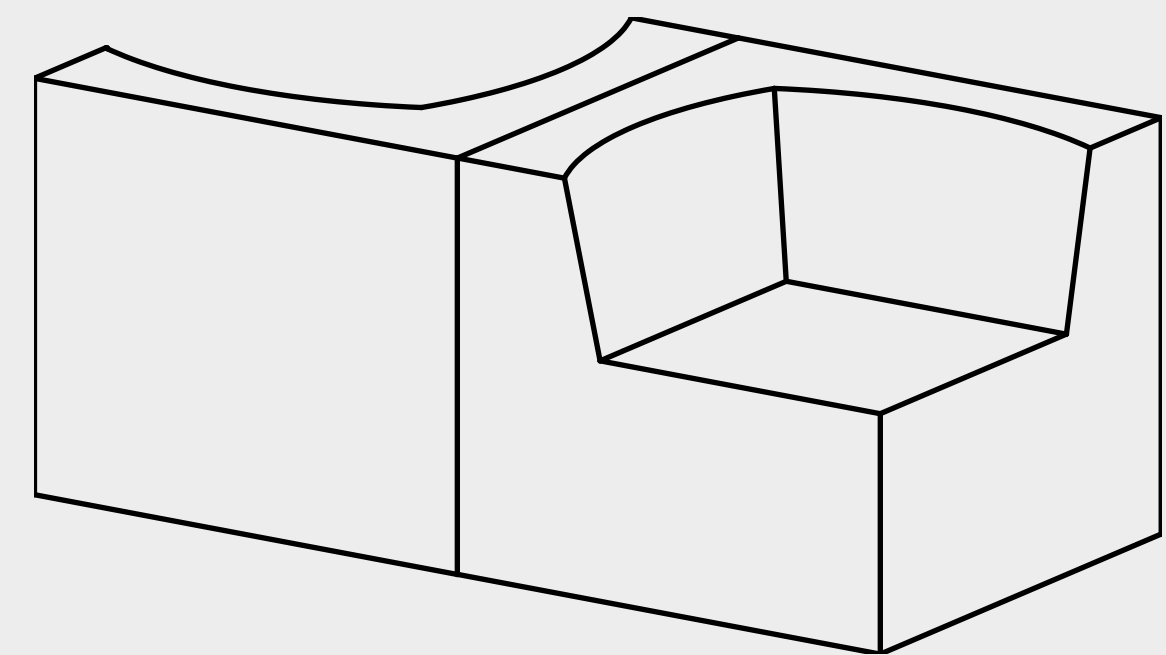
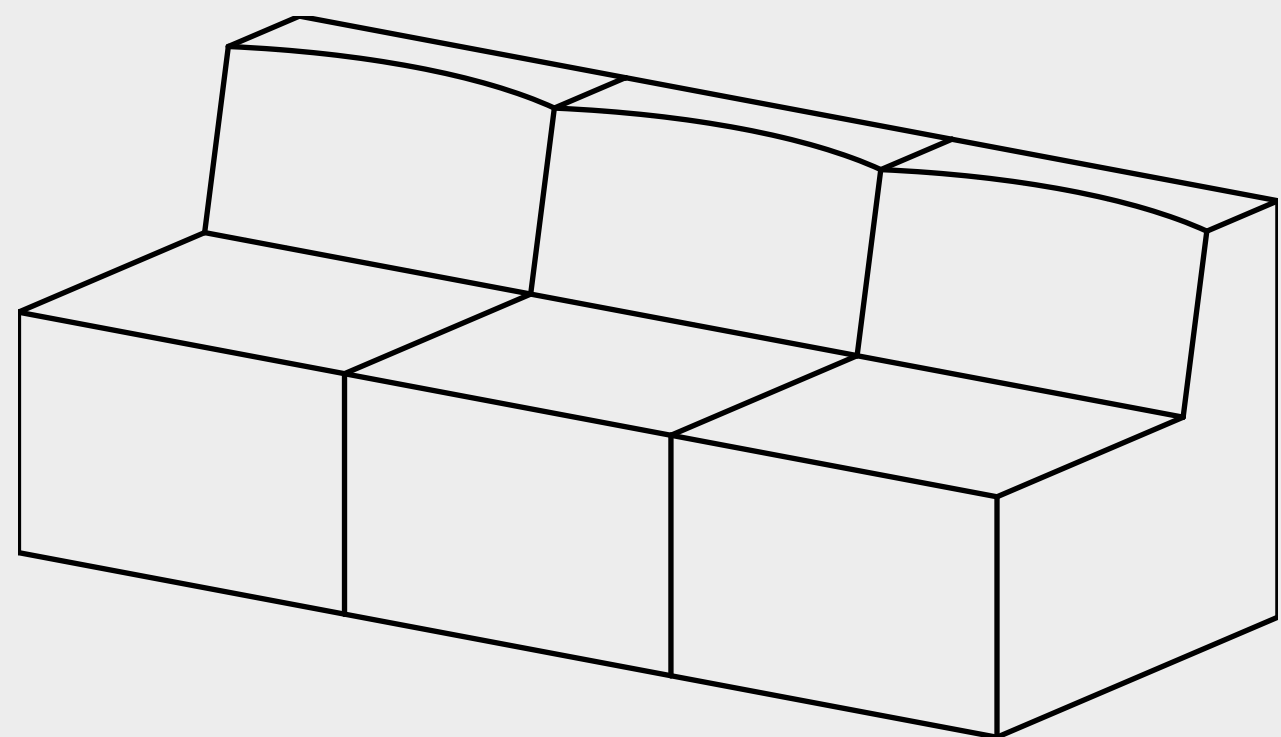
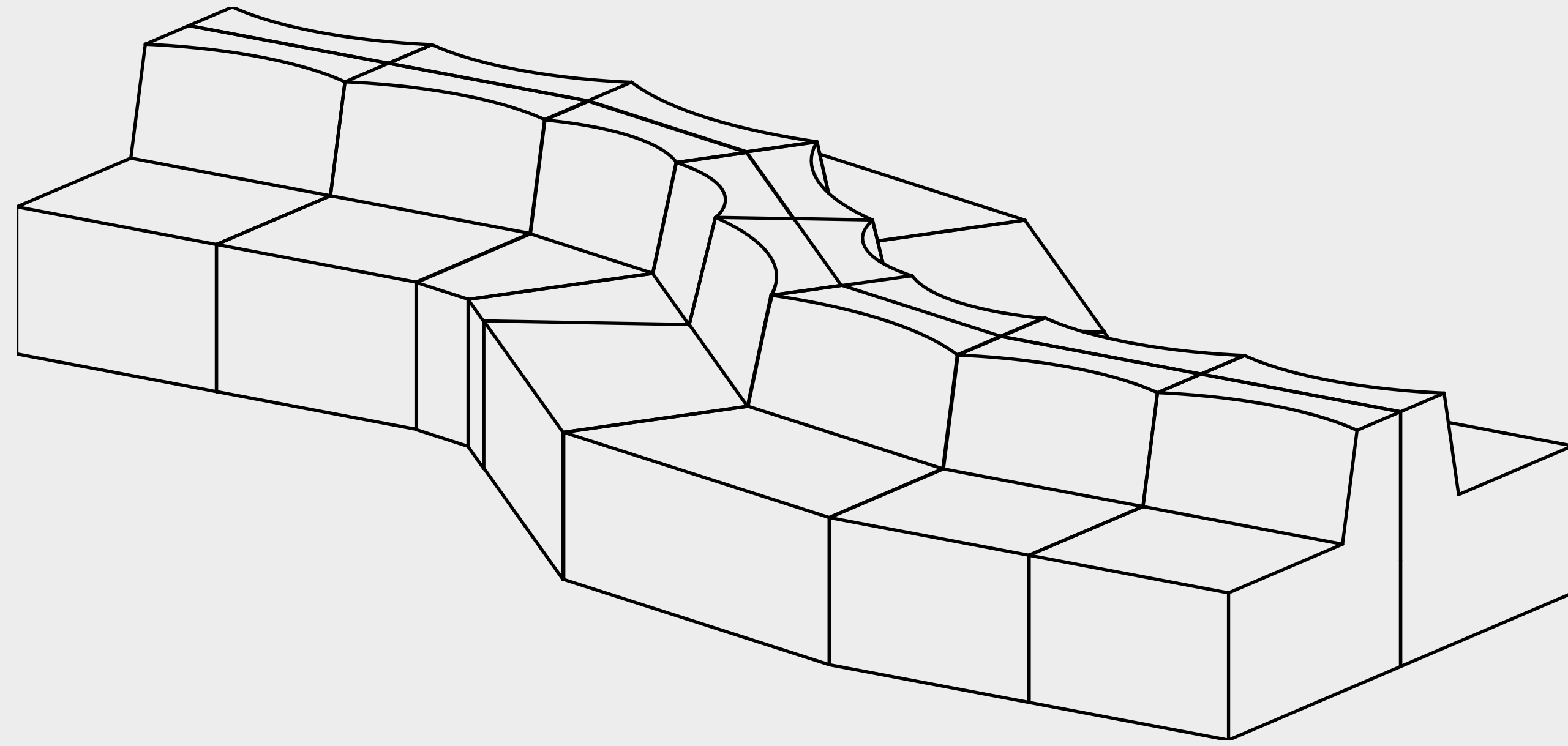
FSC® Certified wood

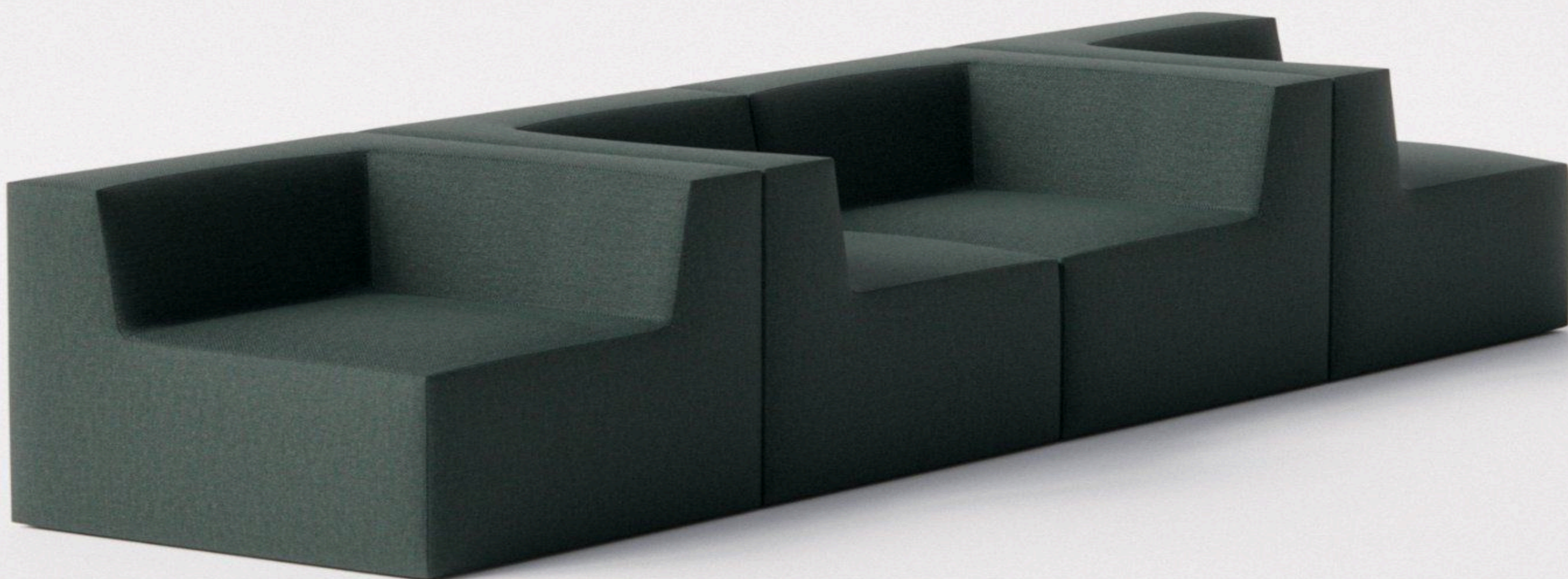


Examples of configurations



Examples of configurations





+Halle A/S
Europa Plads 16, 3rd DK-8000 Aarhus C
+45 70 26 66 04
info@plushalle.dk

Explore the whole collection: www.plushalle.com

+Halle[®]