



DESIGNER
Marcel Sigel

An innovative chair system with a 3D injection moulded, superior comfort, polyurethane foam shell. Designed with universal functionality in mind, the Lunar chair is available in four different leg base styles, four Camira® Mainline Flax upholstery finishes as well as custom upholstery options.

UPHOLSTERY COLOURS:

House fabrics in Camira® Mainline Flax.
Temple black | Archway stone |
Bayswater aqua | Barbican red

BASE COLOURS:

Natural FSC oak | black FSC stained oak -
either coloured base can be matched with
any of the 4 available upholstery coloured
shells.

CUSTOM COLOUR OPTIONS:

Custom stain finishes or customer's own
fabric, leather or vinyl are available on
request. Minimum quantities and set-up
costs apply.

LUNAR

LANDER CHAIRS



Lunar Lander Chair in Temple black - shown with oak base



Lunar Lander Chair in Archway stone - shown with black base



Lunar Lander Chair in Barbican red - shown with black base



Lunar Lander Chair in Bayswater aqua - shown with oak base



Lunar lumbar detail



Timber base finishes are interchangeable with shells



Cornwell work space, Brisbane, designed by Gray Puksand
Image by Tanika Blair

LUNAR

ORBITER CHAIRS



Lunar Orbiter Chairs shown in Barbican red, Temple black, Bayswater aqua - white and black bases are interchangeable



Lunar Orbiter Chairs shown in Temple stone - white base



Stacked Lunar Rover Chairs in with black base



Lunar Orbiter Chairs shown in Barbican red, Bayswater aqua, Temple black - white and black bases are interchangeable

UPHOLSTERY COLOURS:

House fabrics in Camira® Mainline Flax.
Temple black | Archway stone |
Bayswater aqua | Barbican red

BASE COLOURS:

Black | white - either coloured base can
be matched with any of the 4 available
upholstery coloured shells.

CUSTOM COLOUR OPTIONS:

Custom base colour finishes or
customer's own fabric, leather or vinyl are
available on request. Minimum quantities
and set-up costs apply.

The Lunar Orbiter Chairs with
upholstered shell matched to
a streamlined powder coated
base.

The sled base of the Orbiter
Chair has nylon gliders to
protect any floor surface and is
stackable to 4 chairs.



*The Collectionist Hotel, Sydney, designed by Willis Sheargold
Image by Terence Chin*

The Lunar upholstered shell matched to a streamlined powder coated four-way castor base which makes the ergonomic Lunar chair swivel and rove in any environment.

Suitable for a study, office or boardroom.

UPHOLSTERY COLOURS:

House fabrics in Camira® Mainline Flax.
Temple black | Archway stone |
Bayswater aqua | Barbican red

BASE COLOURS:

Black | white - either coloured base can be matched with any of the 4 available upholstery coloured shells.

CUSTOM COLOUR OPTIONS:

Custom base colour finishes or customer's own fabric, leather or vinyl are available on request. Minimum quantities and set-up costs apply.

LUNAR

ROVER CHAIRS



Lunar Rover Chair in Bayswater blue



Bayswater blue with black base



Bayswater Blue with white base



Barbican red with black base



Temple black with black base



Archway stone with black base



Barbican red with white base



Temple black with white base



Archway stone with white base



LUNAR

LIFTER CHAIRS



Barbican red with black base



Temple black with black base



Bayswater blue with black base



Barbican red with white base



Temple black with white base



Bayswater blue with white base



Archway stone with black base



Archway stone with white base



Archway stone with white base

UPHOLSTERY COLOURS:

House fabrics in Camira® Mainline Flax.
Temple black | Archway stone |
Bayswater aqua | Barbican red

BASE COLOURS:

Black | white - either coloured base can
be matched with any of the 4 available
upholstery coloured shells.

CUSTOM COLOUR OPTIONS:

Custom base colour finishes or customer's
own fabric, leather or vinyl are available on
request. Minimum quantities and set-up
costs apply.

The Lunar Lifter Chairs consists
of our superior comfort, injected
moulded foam technology shell
upholstered with our house
range of Camira Mainline Flax
fabrics or customers own fabric,
leather and/or vinyl matched to
a 5-way, lever operated gas lift
powder coated castor base.

Seat height increases from a
low of 450mm up to a high of
580mm.



Optional arms are available for Lunar Orbitor, Rover and Lifter chairs.



LUNAR COLLECTION - PRODUCT SPECIFICATIONS

DESIGNER: Marcel Sigel

MATERIAL AND FINISH

Shell: 3D moulded PU comfort foam

Lunar Lander: 4 leg wood base: American oak in natural oak finish or stained black oak finish.

Lunar Orbiter: Sled Base (stackable): Powder coated steel with nylon gliders.

Lunar Rover: 4 Way Castor Base: Powder coated steel with ABS castors.

Lunar Lifter: 5 way, lever operated gas lift powder coated castor base.

UPHOLSTERY COLOURS

Camira® Mainline Flax (80% wool / 20% Flax Commercial fabric)

Temple (black) | Archway stone (grey) | Bayswater (aqua) | Barbican (red)



CUSTOM OPTIONS

The Lunar shell is also available as a blank / naked shell for custom COM fabric and leather application.

Optional arms available.

LUNAR BASE FINISHES

Lunar Lander in natural oak | black stain

Lunar Orbiter in matt black | matt white

Lunar Rover in matt black | matt white

Lunar Lifter in matt black | matt white

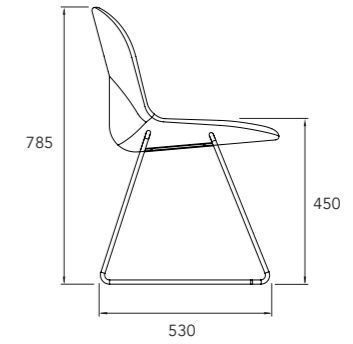
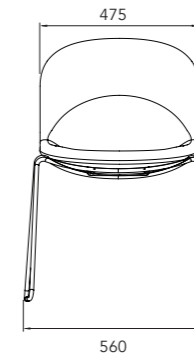
CUSTOM FINISHES

Custom stain and powder coat finishes on bases are available on request. Minimum quantities and set-up costs apply.

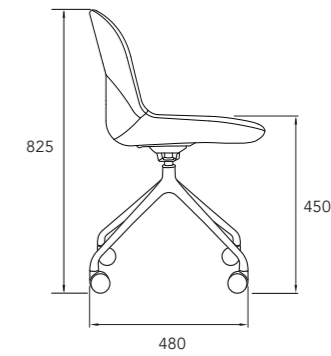
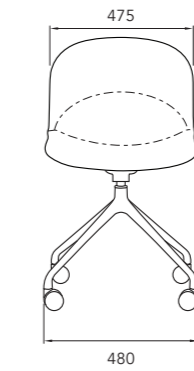
WARRANTY

5 years

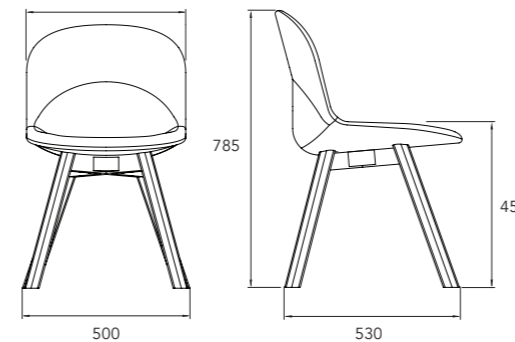
DIMENSIONS



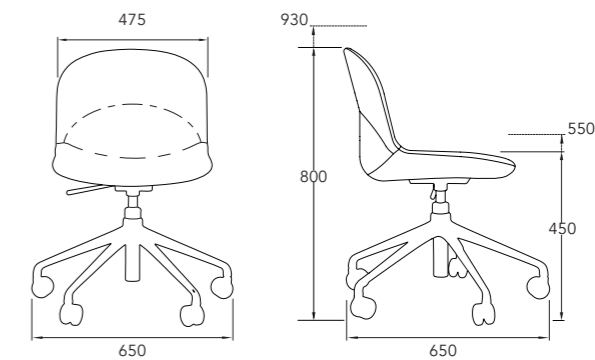
Lunar Orbiter



Lunar Rover



Lunar Lander



Lunar Lifter