



DATASHEET & SPECIFYING INFORMATION
MELLOW LINEAR, VERTICAL & WALL PENDANTS

Absorbs up to 30% of noise

Made in Australia

Global GreenTag: Rate A Certified materials

STUDIO
ACUSTICO

+61 3 9005 6008
studioacustico.com



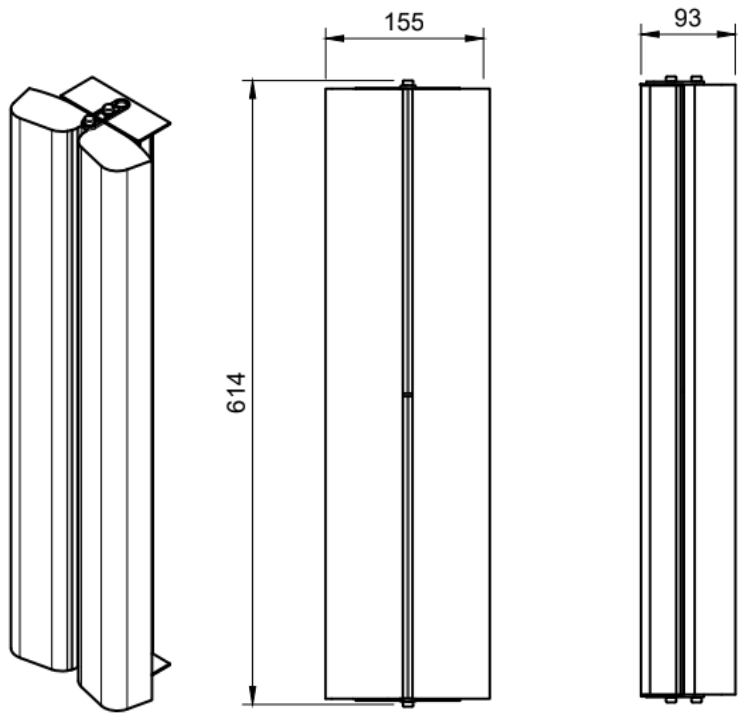
Mellow Wall Light (MLW-WALL)

Size: 614mm x 155mm x 93mm

Weight: Approx. 5kg

Colour temperature: 3000k or 4000k

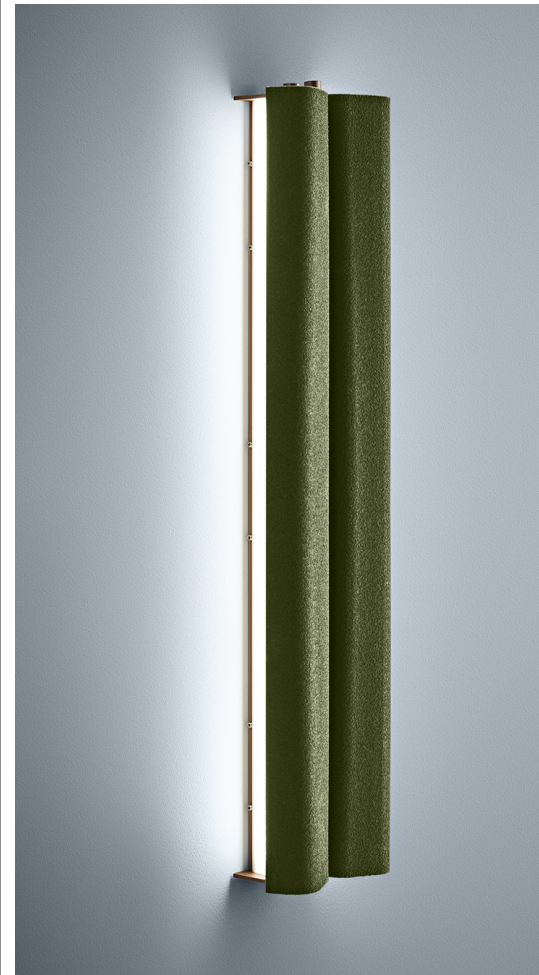
Light output: 3000K/2291 lumen output or 4000K/2481 lumen output



ISOMETRIC VIEW

FRONT VIEW

SIDE VIEW

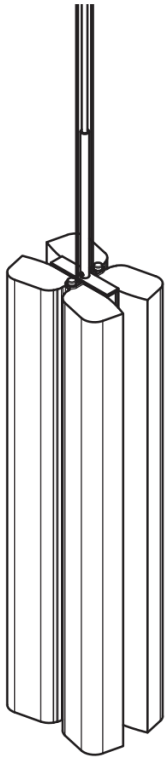


Mellow Vertical Pendant (MLW-VERT)

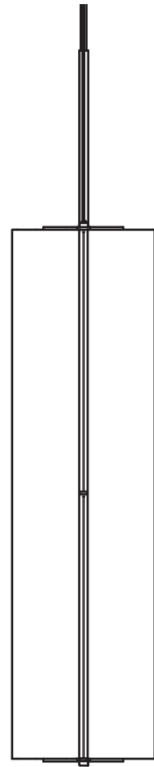
Size: 600mm x 155mm x 120mm

Weight: Approx. 5kg

Colour temperature: 3000K or 4000K



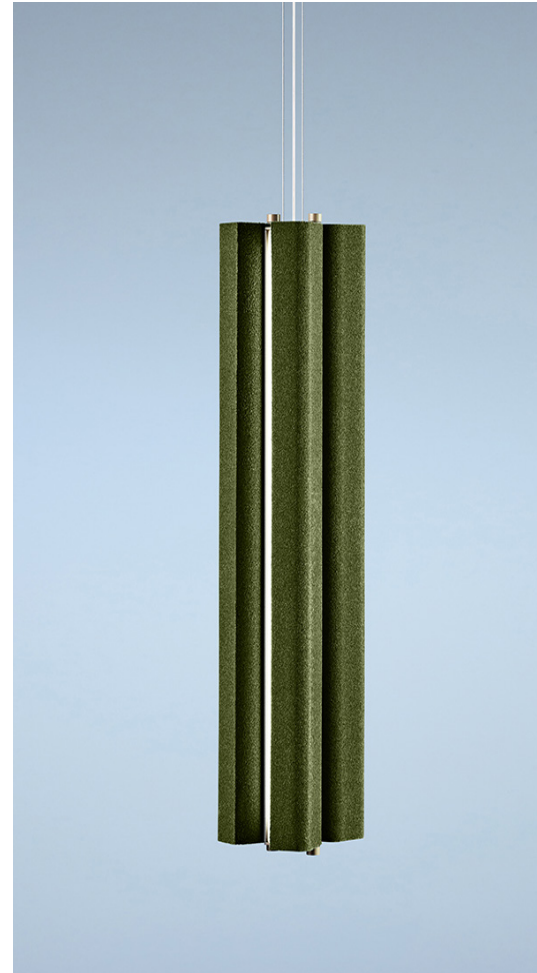
ISOMETRIC VIEW



FRONT VIEW



SIDE VIEW

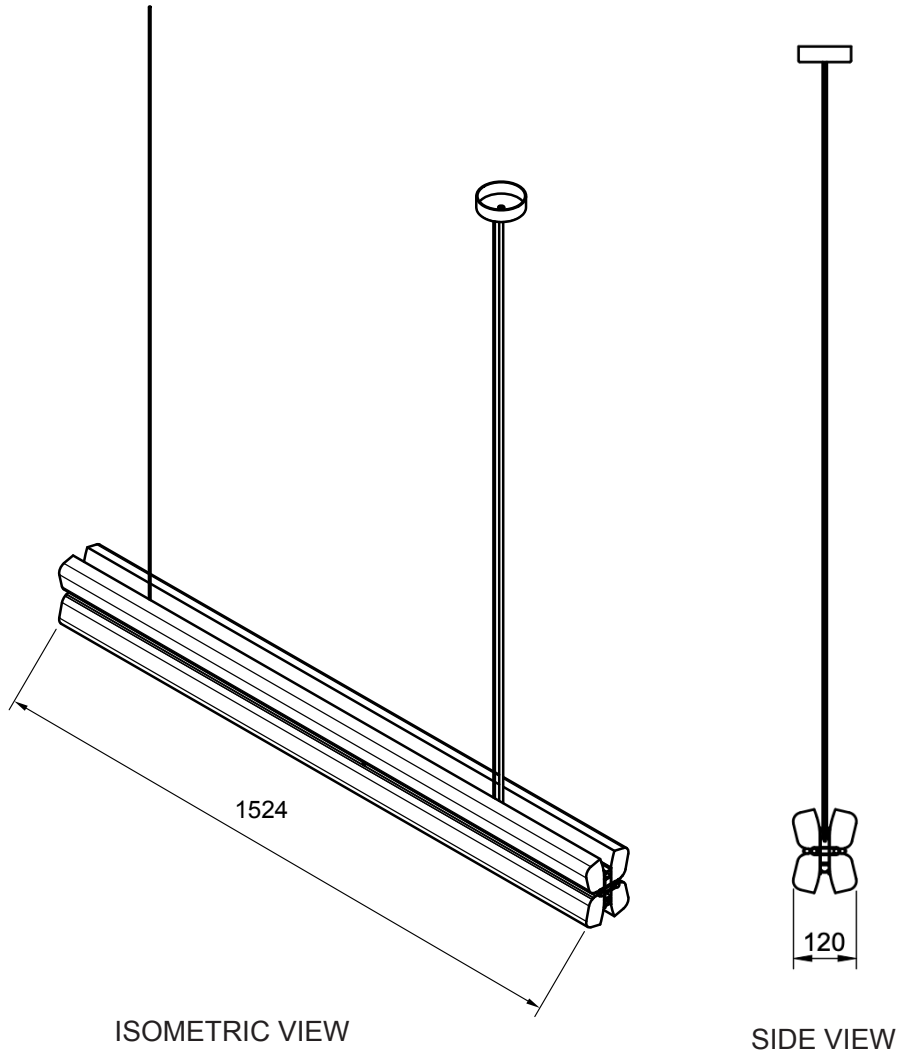


Mellow Linear Pendant (MLW-LIN)

Size: 1524mm x 155mm x 161mm

Weight: Approx. 5kg

Light output: 3000K or 4000K



Colour Range



OB: *Ocean Blue*



SB: *Steel Blue*



LG: *Light Grey*



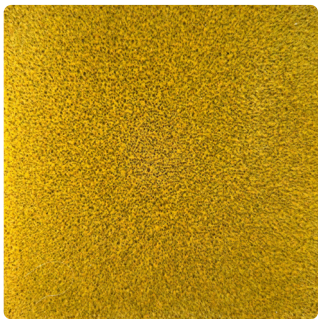
OG: *Olive Green*



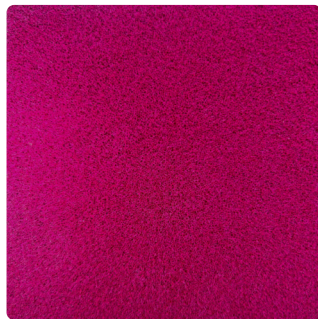
RG: *Rouge*



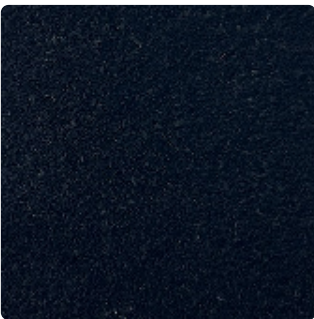
BO: *Burnt Orange*



MD: *Mustard*



LP: *Loud Pink*



BK: *Black*

Lighting Information

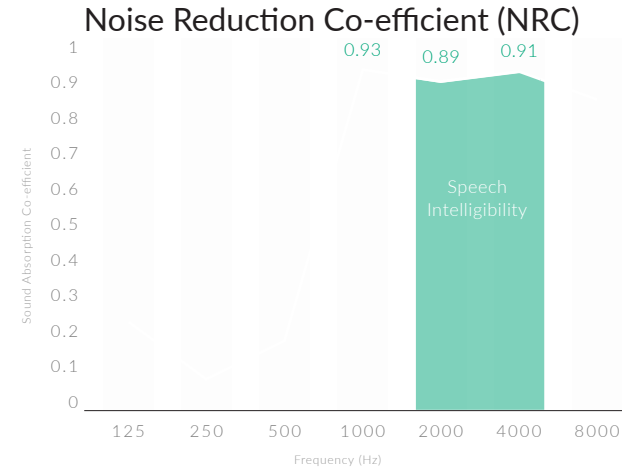
Voltage:	24v dc
Input voltage:	240v
Control Gear:	Dali/Non Dali
Colour rendering index:	> 80
Suspension weight:	> 5 kg Wall, Vertical > 10 kg Linear
Driver rating:	IP20
Colour temperature:	3000k or 4000k
Material:	Combustion modified PU foam, metal

SPECIFYING INFORMATION

Projects are complex.

In order to preserve the correct details being passed from one contractor to the next over the course of your project, please use the following information in your schedule to specify our lights.

PROFILE	LIGHT TEMP (K)	DRIVER TYPE	SUSPENSION LENGTH	COLOUR
<i>Eg. MLW-WALL</i>	<i>Eg. 3000</i>	<i>Eg. NDA</i>	<i>Eg. S</i>	<i>Eg. SB</i>
PROFILE OPTIONS	LIGHT TEMP. OPTIONS	DRIVER OPTIONS	SUSPENSION OPTIONS	COLOUR OPTIONS
MLW-WALL	3000 Warm	DA Dali	S Standard 1000mm suspension length	OG Olive Green
MLW-VERT	4000 Cool	NDA Fixed Output	C Custom suspension length	OB Ocean Blue
MLW-LIN			NA Use when specifying SQ-WALL	LG Light Grey
				SB Steel Blue
				RG Rouge
				MD Mustard
				BO Burnt Orange
				LP Loud Pink



Results: Reverberation Times, Acoustic Performance and Absorption Co-efficient

Frequency (Hz)	23/10/2019 Measured Reverberation Time (seconds)	06/11/2019 Measured Reverberation Time (seconds)	Difference in acoustic performance (m ² Sabin)	Calculated absorption coefficient: of tested light fittings
125	0.93	0.78	1.4	0.24
250	0.78	0.74	0.4	0.07
500	0.55	0.49	1.0	0.17
1k	0.60	0.40	5.4	0.93
2k	0.57	0.40	5.2	0.89
4k	0.60	0.47	5.3	0.91
8k	0.47	0.34	4.9	0.85

For additional information on acoustic testing please visit the Sound Lab on our website or request full testing reports.

END-OF-LIFE MANAGEMENT PROGRAM

We ask that products are returned to Acustico Lighting.
We have agreements in place with our suppliers who commit to upcycling approximately 80% of the materials.

SUSPENSION

Our lights have optimum sound absorbency of voice noise when they are hung at 2000mm or lower from FFL. Please consider this when specifying the hanging height. Our standard hanging length is 1000mm and can be altered to the appropriate length on-site.

If you require longer length, please specify your required custom length.

All Acustico Lighting pieces must be installed by a licensed electrician in accordance with AS/NZS 3000 or equivalent standard in country of installation.

WARRANTY

3 years manufacturer's warranty when subject to normal use and care in an appropriate location.

Full warranty available at Studioacustico.com.au

All of our products are individually assembled meaning minor variations in finish, colour and profile can occur. Slight variations are to be expected and will not be accepted as a fault or defect in the product. Colours and finishes as viewed on printed and digital sources are representative only and may not appear identical to the finished product. Acustico Lighting reserves the right to change the specification, material and colours at any time without notice. Standard warranty terms and conditions apply. All rights reserved. © Sept 2024