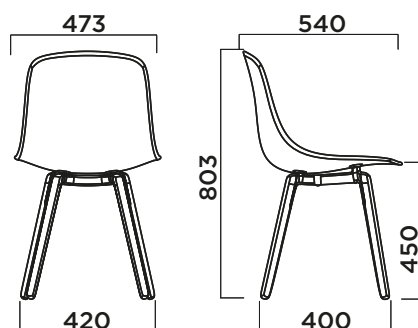


## PURE LOOP BINUANCE wooden legs

5029-WLGP

Design Claus Breinholt



### WOODEN LEGS

GAMBE LEGNO  
PATAS DE MADERA

Solid natural beech legs.

Solid natural beech legs.

Patas de haya maciza natural.



**FGLP04G**



**FGLP06G**



**FGVAN**



**FGTA04**

### SHELL

SCOCCA  
CARCASA

Polypropylene + Glass fiber.

Polipropilene + Fibra di vetro

Polipropileno + Fibra de vidrio.



**R7015 -  
R8022**



**R7035 -  
R7040**



**R1034 -  
R2001**



**R9010 -  
R9001**

### SUPPORT

SUPPORTO  
SOPORTE

Polished die casting aluminium.

Alluminio presso fuso pulito.

Aluminio fundido a presión pulido

### PKG

IMBALLO  
EMBALAJE

Pkg	A(cm)	B(cm)	h(cm)	MC	PCS	Weight (kg)
	46.5	57	81.5	0.22	1	10