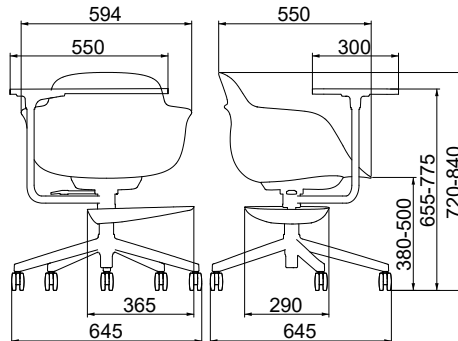


SICLA EDU

5040-E5SP

Design Claus Breinholt



BASE

BASE
BASE

Support polished die casting aluminium. Base polished aluminium 5 star . Support and base in aluminium painted with epoxy electro-static embossed powder with average thickness of 50 µ.
Supporto e base in alluminio con verniciatura a polveri epossipoliestere spessore medio di 50 µ
Soporte de aluminio fundido a presión pulido Base de aluminio pulido de 5 radios Soporte y base de aluminio con recubrimiento en polvo epoxi gofrado con 50 µ de espesor medio.



SHELL

SCocca
CARCASA

Polypropylene + Glass fiber
Polypropylene + Glass fiber
Polypropylene + Glass fiber



WRITING TABLET

TAVOLETTA DA SCRITTURA
WRITING TABLET

Swivel tablet arm in HPL. Polypropylene holder below seat.
Swivel tablet arm in HPL. Polypropylene holder below seat.
Swivel tablet arm in HPL. Polypropylene holder below seat.



CASTORS

RUOTE
RUEDAS PIVOTANTES

Castors diam. 60 stem 11.
Ruote diam. 60 stem 11.
Ruedas pivotantes diám. 60 perno 11.

PKG

IMBALLO
EMBALAJE

Pkg	A(cm)	B(cm)	h(cm)	MC	PCS	Weight (kg)
	67	67	82	0.37	1	13.5