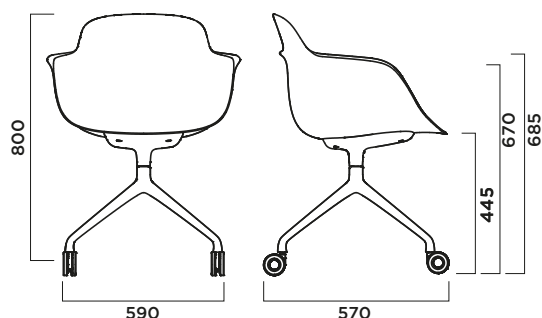


SICLA swivel with castors

5040-4SCP

Design Claus Breinholt



BASE

BASE
BASE

Polished aluminium 4 star base. Support polished die casting aluminium.

Base 4 razze in alluminio lucido. Supporto in alluminio pressofuso lucido.

Base de aluminio pulido de 4 radios Soporte de aluminio fundido a presión pulido



00L



30



31



514F



503F



6013F



3009F

SHELL

SCOCCA
CARCASA

Polypropylene + Glass fiber

Polypropylene + Glass fiber

Polypropylene + Glass fiber



S020



R8022



S514



R6013



P7608U



S011



S503

FINISHING

FINITURA
ACABADO

Base and support painted with epoxy-polyester powder with average thickness of 50 μ.

Base e supporto verniciati a polvere epossi-poliestere con spessore medio di 50 μ.

Base y soporte con recubrimiento en polvo epoxi-poliéster con 50 μ de espesor medio.

CASTORS

RUOTE
RUEDAS PIVOTANTES

Castors diam. 60 stem 11.

Ruote diam. 60 stem 11.

Ruedas pivotantes diám. 60 perno 11.

PKG

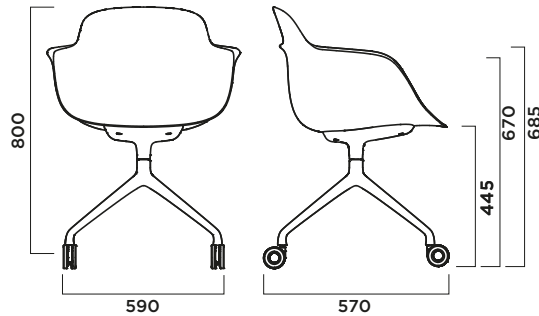
IMBALLO
EMBALAJE

Pkg	A(cm)	B(cm)	h(cm)	MC	PCS	Weight (kg)
	59	63	85.5	0.32	1	12.2

SICLA swivel with castors upholstered seat panel

5040-4SCS

Design Claus Breinholt



BASE

BASE

BASE

Polished aluminium 4 star base. Support polished die casting aluminium.

Base 4 razze in alluminio lucido. Supporto in alluminio pressofuso lucido.

Base de aluminio pulido de 4 radios Soporte de aluminio fundido a presión pulido



00L



30



31



514F



503F



6013F



3009F

SHELL

SCOCCA

CARCASA

Polypropylene + Glass fiber

Polypropylene + Glass fiber

Polypropylene + Glass fiber



S020



R8022



S514



R6013



P7608U



S011



S503

UPHOLSTERY



TAPPEZZERIA

TAPIZADOS

Wood seat panel in plywood beech, 5,5 mm thickness, upholstered.

Wood seat panel in plywood beech, 5,5 mm thickness, upholstered.

Wood seat panel in plywood beech, 5,5 mm thickness, upholstered.

- A Space, Panarea
- B Eco Leather
- C Convert D, Velvety, Step, Step Melange, Nuvole
- D Reflect 
- E Field, Oceanic  Yoredale
- F Steelcut Quartet, Canvas2
- G Divina3, Divina Melange, Fiord
- H Full Leather

COM Fabric(m) COM Leather(m2)

0,65

0,50

FINISHING

FINITURA

ACABADO

Base and support painted with epoxy-polyester powder with average thickness of 50 µ.

Base e supporto verniciati a polvere epossi-poliestere con spessore medio di 50 µ.

Base y soporte con recubrimiento en polvo epoxi-poliéster con 50 µ de espesor medio.

CASTORS

RUOTE

RUEDAS PIVOTANTES

Castors diam. 60 stem 11.

Ruote diam. 60 stem 11.

Ruedas pivotantes diám. 60 perno 11.

PKG

IMBALLO

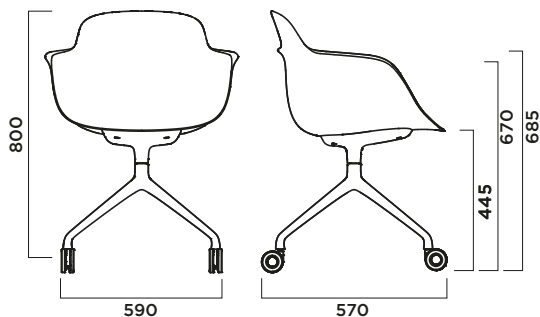
EMBALAJE

Pkg	A(cm)	B(cm)	h(cm)	MC	PCS	Weight (kg)
59	63	85.5	0.32	1	12.2	

SICLA swivel with castors full upholstered panel

5040-4SCT

Design Claus Breinholt



BASE

BASE
BASE

Polished aluminium 4 star base. Support polished die casting aluminium.

Base 4 razze in alluminio lucido. Supporto in alluminio pressofuso lucido.

Base de aluminio pulido de 4 radios Soporte de aluminio fundido a presión pulido



SHELL

SCOCCA
CARCASA

Polypropylene + Glass fiber

Polypropylene + Glass fiber

Polypropylene + Glass fiber



UPHOLSTERY

TAPPEZZERIA
TAPIZADOS

Polypropylene full upholstered shell.

Polypropylene full upholstered shell.

Polypropylene full upholstered shell.

- A Space, Panarea
- B Eco Leather
- C Convert D, Velvety, Step, Step Melange, Nuvole
- D Reflect
- E Field, Oceanic , Yoredale
- F Steelcut Quartet, Canvas2
- G Divina3, Divina Melange, Fiord
- H Full Leather

COM Fabric(m) COM Leather(m2)

1.00

1.20

FINISHING

FINITURA
ACABADO

Base and support painted with epoxy-polyester powder with average thickness of 50 μ.

Base e supporto verniciati a polvere epossi-poliestere con spessore medio di 50 μ.

Base y soporte con recubrimiento en polvo epoxi-poliéster con 50 μ de espesor medio.

CASTORS

RUOTE
RUEDAS PIVOTANTES

Castors diam. 60 stem 11.

Ruote diam. 60 stem 11.

Ruedas pivotantes diám. 60 perno 11.

PKG

IMBALLO
EMBALAJE

Pkg	A(cm)	B(cm)	h(cm)	MC	PCS	Weight (kg)
59	63	85.5	0.32	1	12.2	