



Okidoki

Seating

Specification Guide

Okidoki

Who says you can't mix
business with pleasure?

Okidoki could be
brightening the office
one day, then bringing
its casual cool to your
home the next. In any
environment, its cheeky
personality is always
on display.

Okidoki

Stools

5 – 9



Bench Seats

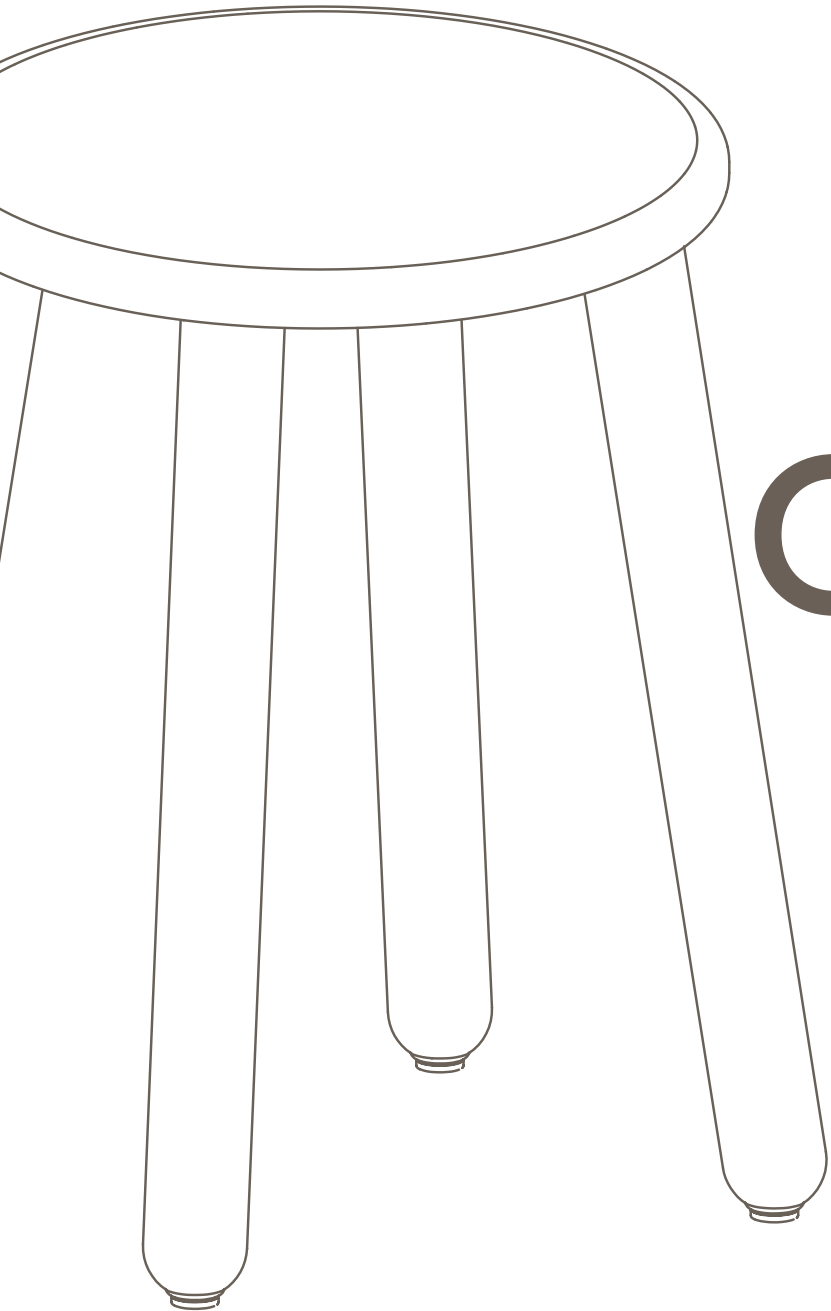
10 – 11



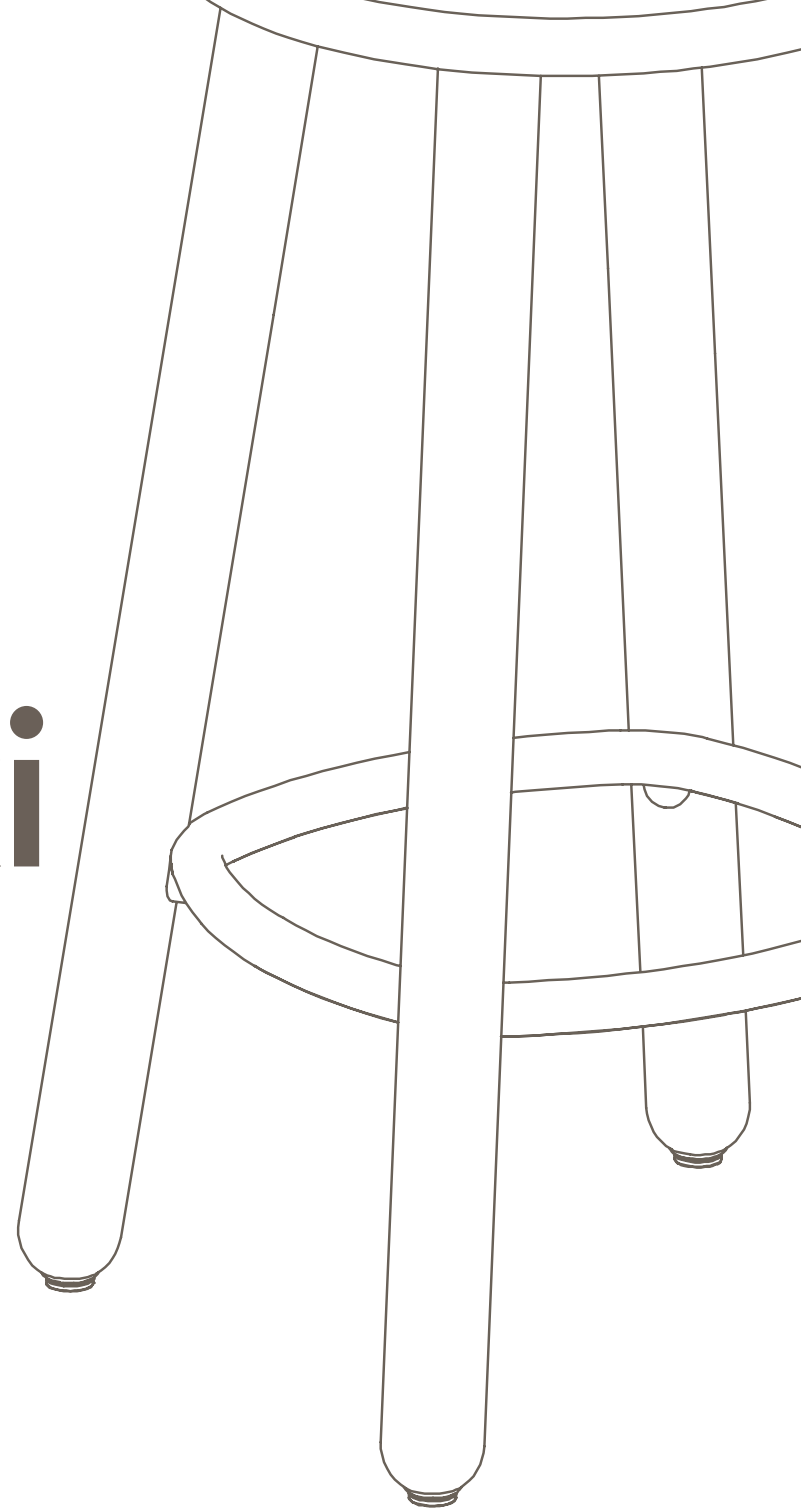
Chairs

12 – 13





Okidoki



Stools Finishes

Featuring solid timber legs available in Ash, Walnut or painted in our seasonal finishes, the timber colour range is designed to either complement or contrast the steel and aluminium framework.

1. Seat and Legs

Featuring timber legs available in Ash, Walnut* or painted in our seasonal finishes with exposed timber grain, the legs can be finished to either compliment or contrast the aluminium framework and footrest.

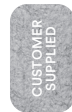


2. Ring Footrest

A four sided aluminium footrest available in our current season powdercoat and custom colours.

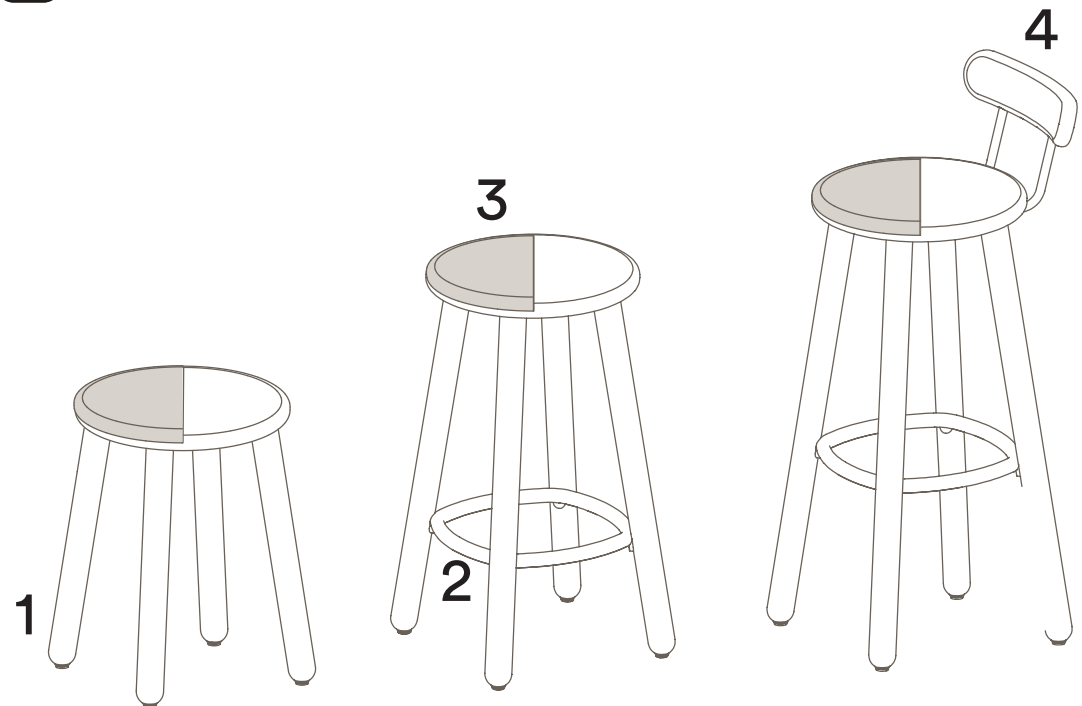
3. Upholstered Seat Pad

Upholstered seat pads are an optional addition to the Okidoki Stool, bringing a softness and warmth to the design.



4. Backrest

Available in Ash and Walnut as well as solid colour with exposed timber grain to match our current season powdercoat colours.



Colours are representative only, please check with your Thinking Works Consultant to view samples of any specific colour.

* Walnut available on application

Okidoki Too

3-Leg Low Stool

Materials Information

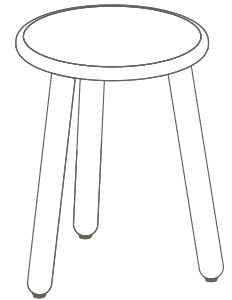
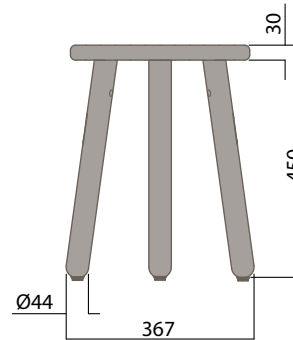
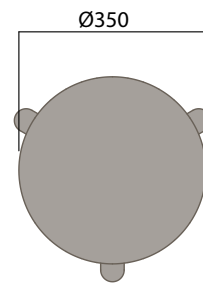
Seat and Legs

Timber

- a. Ash - Standard
- b. Walnut*
- c. Seasonal solid colour with timber grain

OKL-4000

3 Leg Low Stool - Timber Seat



Maximum Load 100kg
Seats 1

* Walnut available on application

Okidoki Too Low Stool

Materials Information

Seat and Legs

Timber

- a. Ash - Standard
- b. Walnut*
- c. Seasonal solid colour with timber grain

Backrest Frame Finish

Powdercoated Steel

- a. Blanc (standard)
- b. Noir
- c. Double Cream
- d. Pink Salt
- e. Nocturnelle
- f. Morello
- g. Scotland Sky
- h. Green Smoke
- i. Moonshine
- j. Byron Blue
- k. Axel

Seat Pad

Upholstered Seat Pad

- a. Customer Specified Fabric

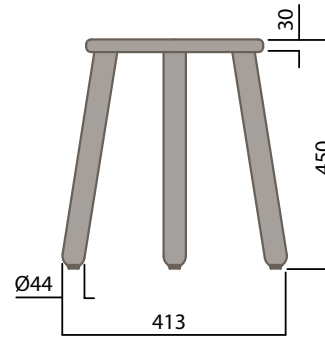
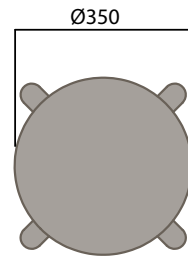
Maximum Load
Seats

100kg
1

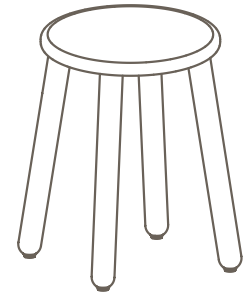
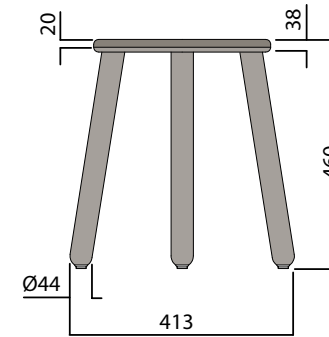
* Walnut available on application

OKL-1000 & OKL-1010

Low Stool - Timber Seat

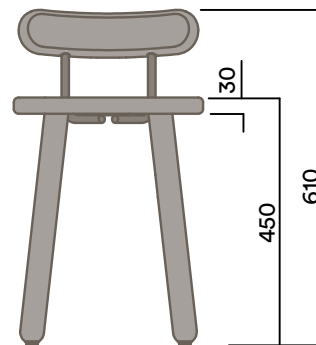
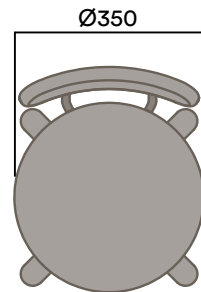


Upholstered Seat Pad

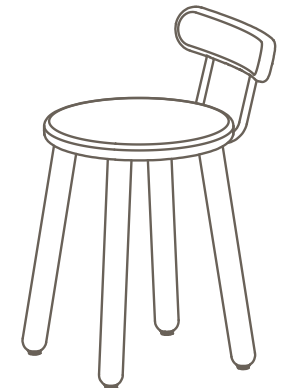
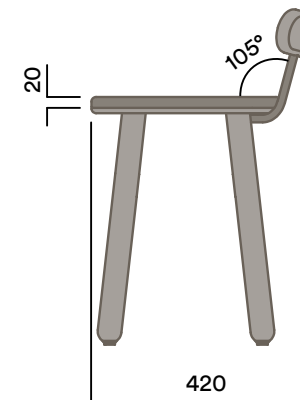


OKL-1100 & OKL-1110

Timber Seat + Backrest



Upholstered Seat Pad + Backrest



Okidoki Too Mid Stool

scale

Materials Information

Seat and Legs

Timber

- a. Ash - Standard
- b. Walnut*
- c. Seasonal solid colour with timber grain

Backrest Frame & Footrest Ring Finish

Powdercoated Steel & Aluminium

- a. Blanc (standard)
- b. Noir
- c. Double Cream
- d. Pink Salt
- e. Nocturnelle
- f. Morello
- g. Scotland Sky
- h. Green Smoke
- i. Moonshine
- j. Byron Blue
- k. Axel

Seat Pad

Upholstered Seat Pad

- a. Customer Specified Fabric

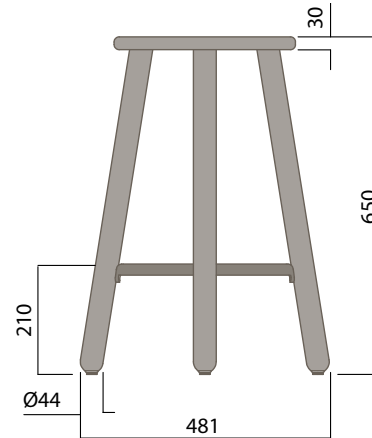
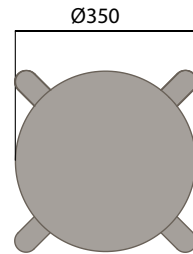
Maximum Load
Seats

100kg
1

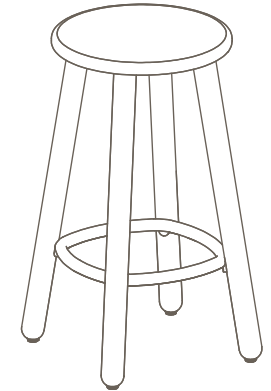
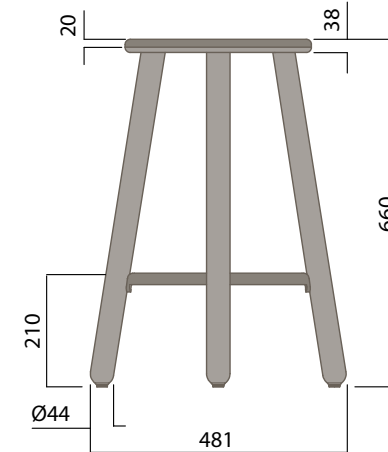
* Walnut available on application

OKL-2000 & OKL-2010

Mid Stool - Timber Seat

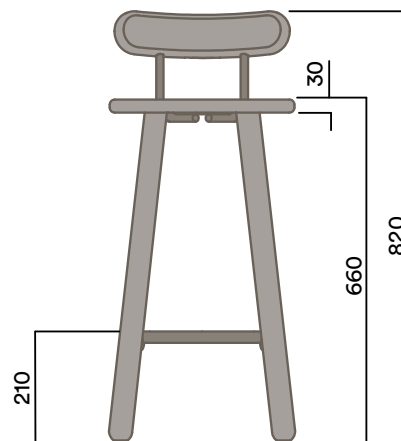
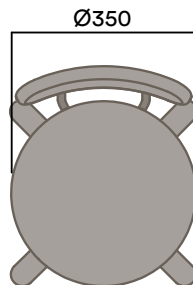


Upholstered Seat Pad

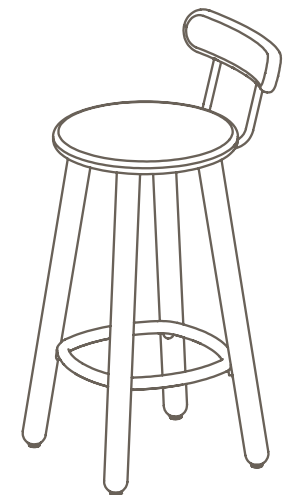
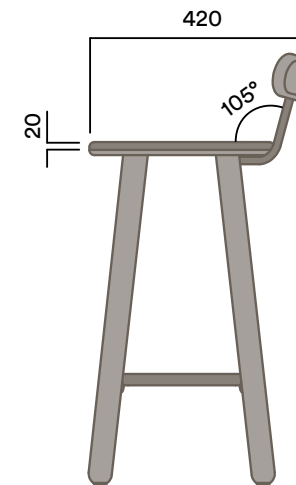


OKL-2100 & OKL-2110

Timber Seat + Backrest



Upholstered Seat Pad + Backrest



Okidoki Too High Stool

Materials Information

Seat and Legs

Timber

- a. Ash - Standard
- b. Walnut*
- c. Seasonal solid colour with timber grain

Backrest Frame & Footrest Ring Finish

Powdercoated Steel & Aluminium

- a. Blanc (standard)
- b. Noir
- c. Double Cream
- d. Pink Salt
- e. Nocturnelle
- f. Morello
- g. Scotland Sky
- h. Green Smoke
- i. Moonshine
- j. Byron Blue
- k. Axel

Seat Pad

Upholstered Seat Pad

- a. Customer Specified Fabric

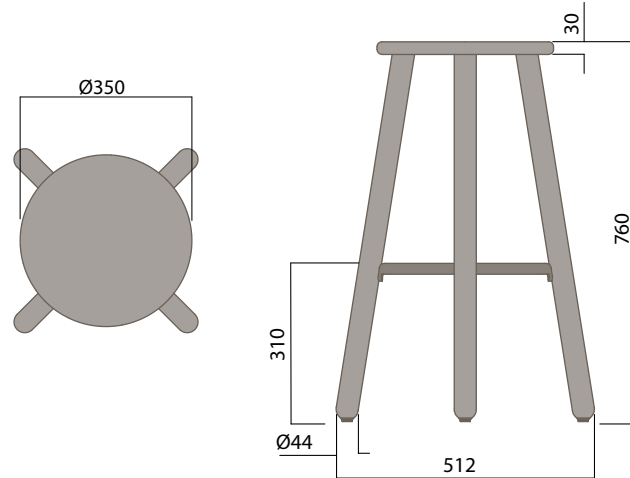
Maximum Load
Seats

100kg
1

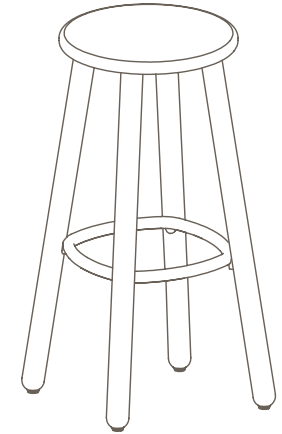
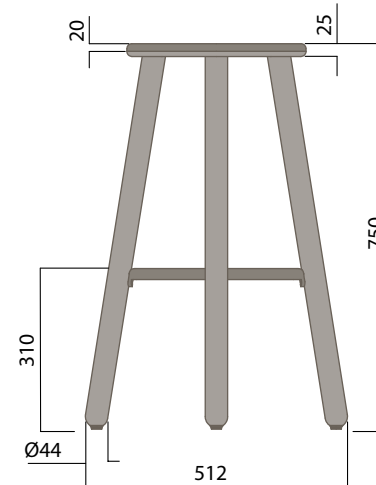
* Walnut available on application

OKL-3000 & OKL-3010

High Stool - Timber Seat

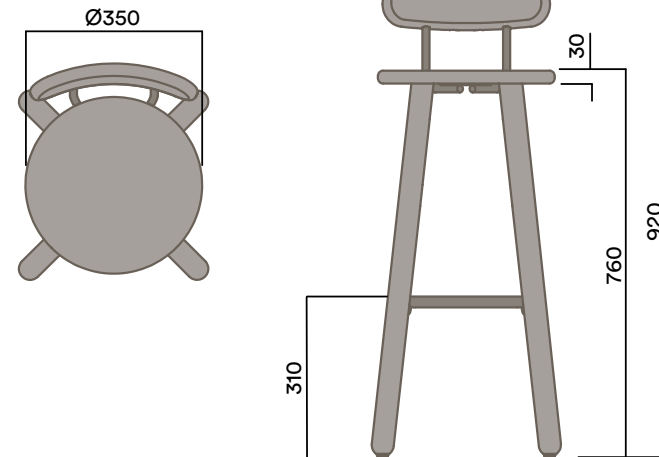


Upholstered Seat Pad

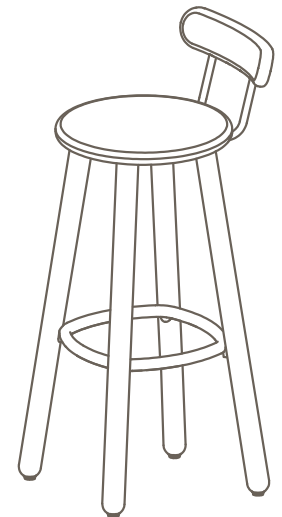
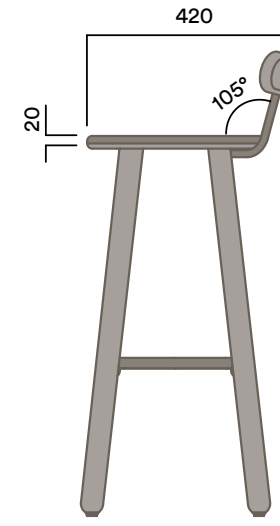


OKL-3100 & OKL-3110

Timber Seat + Backrest



Upholstered Seat Pad + Backrest



Stools with Backrest

Materials Information

OKS-1070

Timber Backrest for retro fitting**

Backrest

Timber

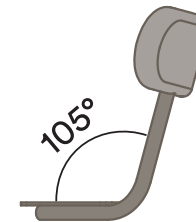
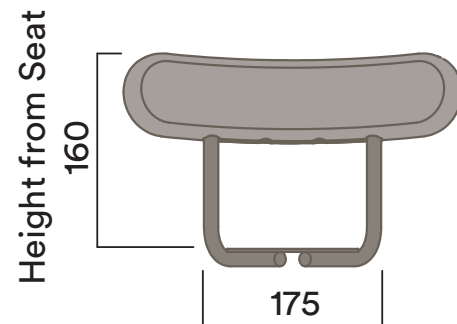
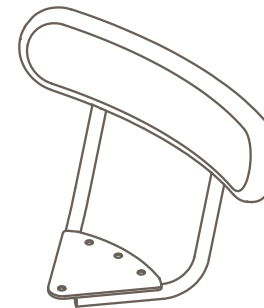
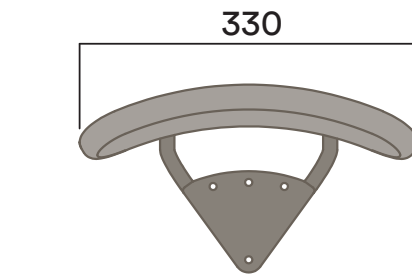
- a. Ash - Standard
- b. Walnut*
- c. Seasonal solid colour with timber grain

Backrest Bracket

Powdercoated Steel

- a. Blanc (standard)
- b. Noir
- c. Double Cream
- d. Pink Salt
- e. Nocturnelle
- f. Morello
- g. Scotland Sky
- h. Green Smoke
- i. Moonshine
- j. Byron Blue
- k. Axel

Backrest is supplied loose and requires assembly to Okidoki stool on site.



Maximum Load 100kg
Seats 1

* Walnut available on application

** Retro fitting only available for non-upholstered stool seats

Bench Seats Finishes

With customisable timber staining, and multiple powder coat options, the Okidoki Bench Seat matches any environment.

1. Bench and Legs

Featuring timber legs available in Ash, Walnut* or painted in our seasonal finishes with exposed timber grain, the legs can be finished to either compliment or contrast the steel and aluminium framework and footrest.

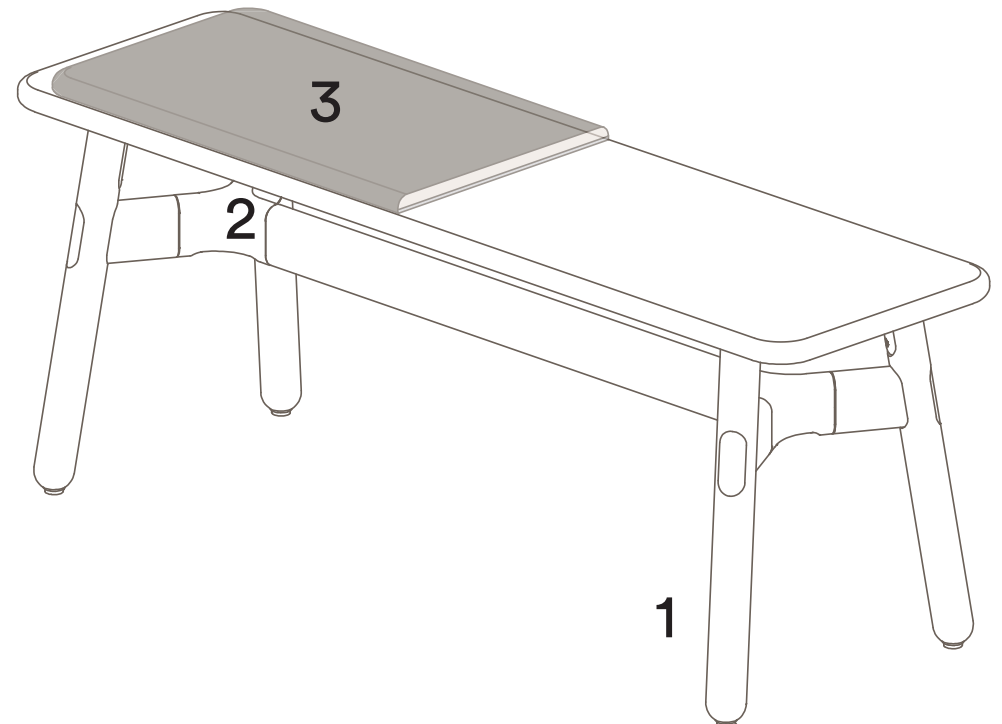


2. Frame Finishes

Okidoki steel and aluminium frame is available in our current season powder-coat colours. Custom colours are also available.

3. Upholstered Seat Pad

Upholstered seat pads are an optional addition to the Okidoki Bench, bringing a softness and warmth to the design.



Colours are representative only, please check with your Thinking Works Consultant to view samples of any specific colour.

* Walnut available on application

Bench Seats

Materials Information

Bench and Legs

Timber

- a. Ash - Standard
- b. Walnut*
- c. Seasonal solid colour with timber grain

Frame Finish

Powder coated Steel & Aluminium Frame

- a. Blanc (standard)
- b. Noir
- c. Double Cream
- d. Pink Salt
- e. Nocturnelle
- f. Morello
- g. Scotland Sky
- h. Green Smoke
- i. Moonshine
- j. Byron Blue
- k. Axel

Seat Pad

Upholstered Seat Pad

Customer Specified Fabric

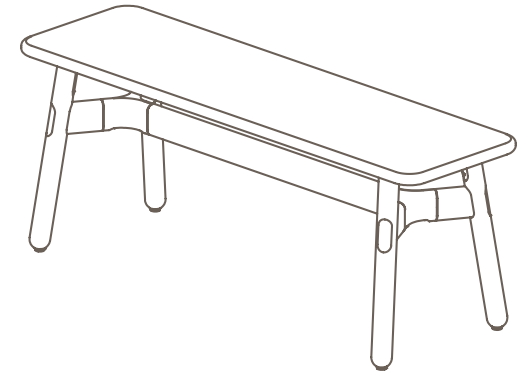
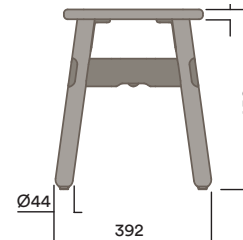
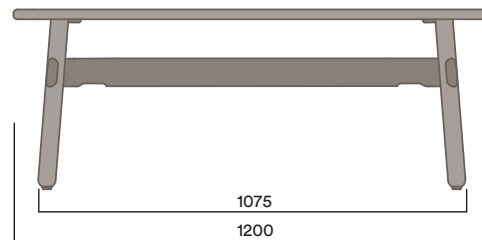
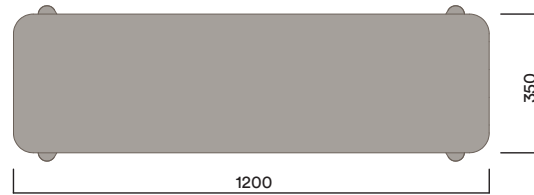
Maximum Load
Seats

200kg
2

* Walnut available on application

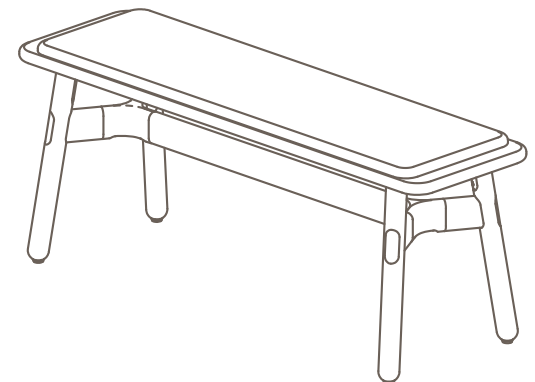
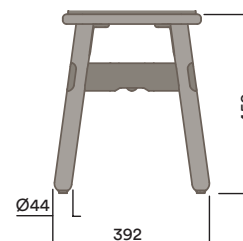
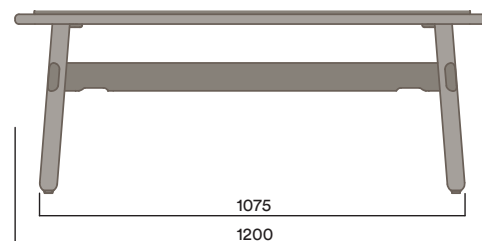
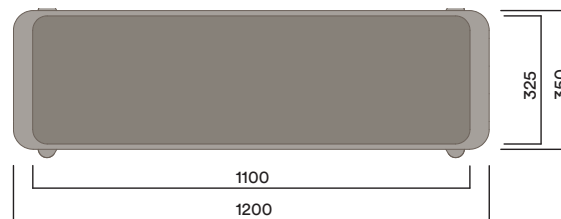
OKS-1080

Okidoki Bench



OKS-1081

Upholstered Okidoki Bench



Chairs Finishes

With customisable timber staining, and multiple powder coat options, the Okidoki Chair matches any environment.

1. Chair

Featuring timber legs available in Ash, Walnut or painted in our seasonal finishes with exposed timber grain, the legs can be finished to either compliment or contrast the steel and aluminium framework and footrest.

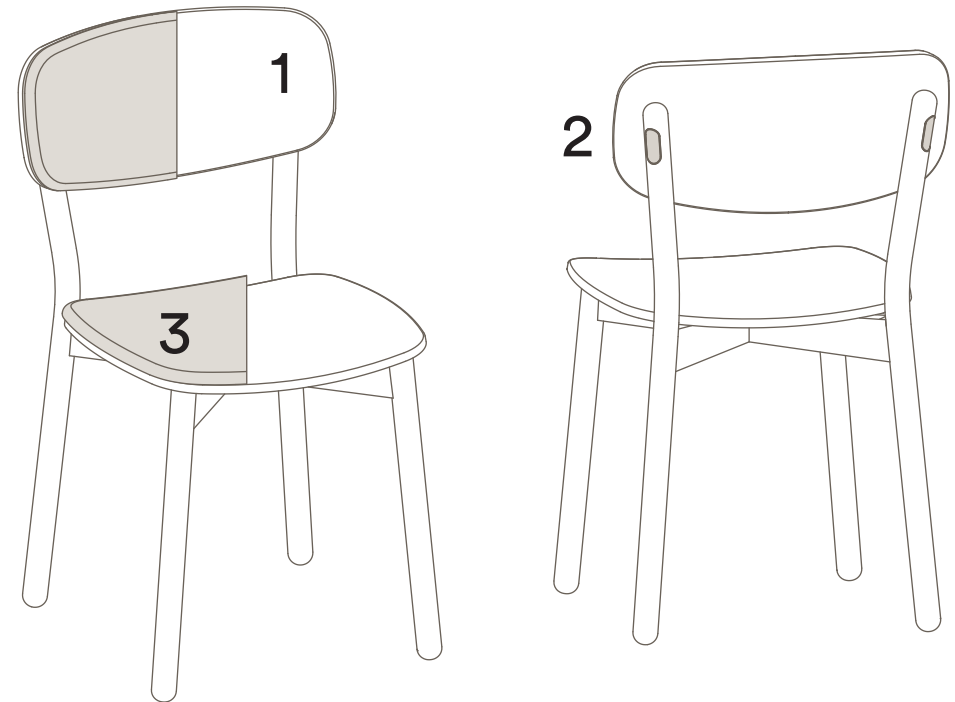


2. Dress Cap

Okidoki aluminium dress cap is available in our current season powder coated colours listed. Custom colours are also available.

3. Upholstered Seat Pad

Upholstered seat pads are an optional addition to the Okidoki Chair, bringing a softness and warmth to the design.



Colours are representative only, please check with your Thinking Works consultant to view samples of any specific colour.

Chairs

Materials Information

Seat and Legs

Timber

- a. Ash - Standard
- b. Walnut - Standard
- c. Seasonal solid colour with timber grain

Dress Cap Finish

Aluminium Dress Cap

- a. Blanc (standard)
- b. Noir
- c. Double Cream
- d. Pink Salt
- e. Nocturnelle
- f. Morello
- g. Scotland Sky
- h. Green Smoke
- i. Moonshine
- j. Byron Blue
- k. Axel

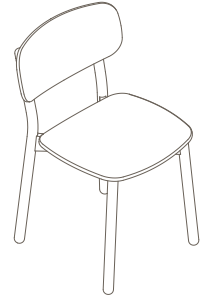
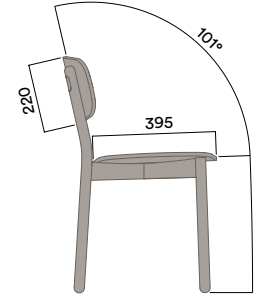
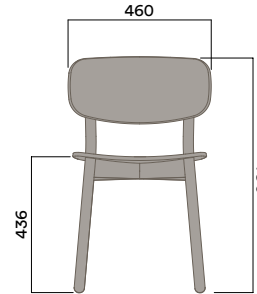
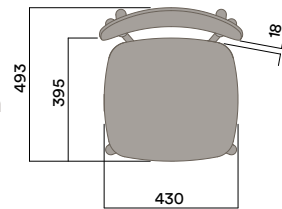
Back & Seat Pad

Upholstered Seat Pad

Customer Specified Fabric

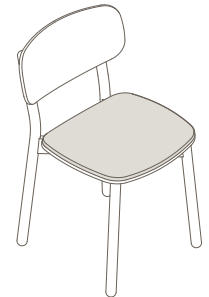
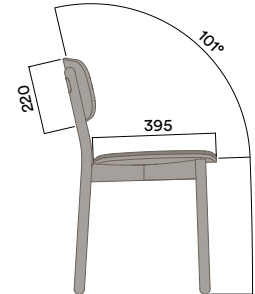
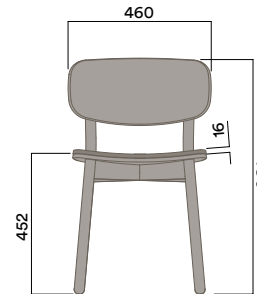
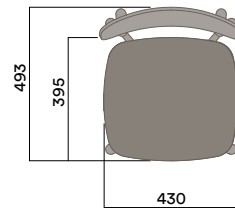
OKS-4000

Chair



OKS-4011 / OKS-4012

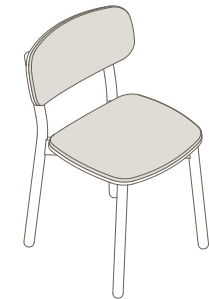
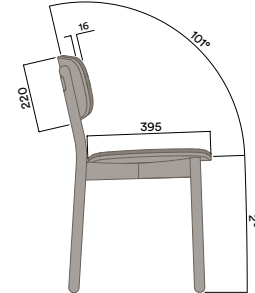
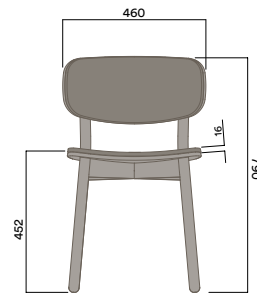
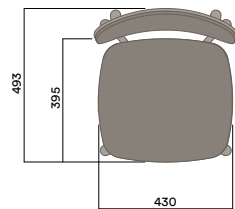
Chair



Upholstered Seat Pad

OKS-4021 / OKS-4022

Chair



Upholstered Seat & Back Pad

Maximum Load
Seats

100kg
1



Specification

If you would like a sample set of any of our finishes, please call us on 61 (0)2 9726 7177 or e-mail at sales@thinkingw.com.

Due to our policy of continuous product development, specifications and finishes may change without prior notice.

Sustainability Policy

We realise the importance of responsible business practices and have in place numerous product and company sustainability certifications. We would encourage you to download our annual Sustainability Report from the Thinking Works website to get a full overview of our sustainability program.

Thinking Works
© Copyright 2024
All right reserved

Thinking Works
15-23 Helles Avenue
Moorebank
New South Wales 2170

www.thinkingw.com
61 (0)2 9726 7177
sales@thinkingw.com