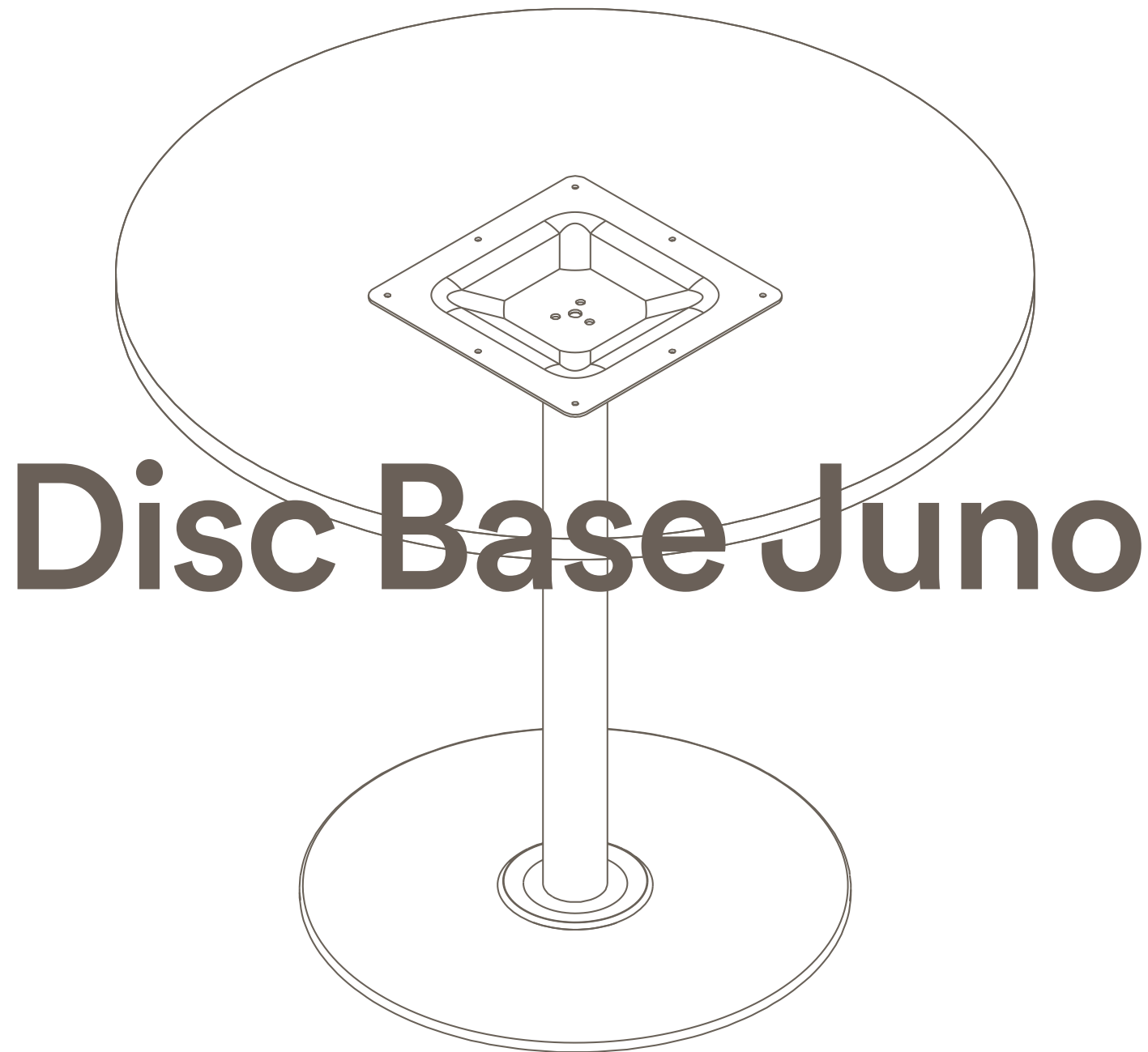




Disc Base Juno

Specification Guide



Disc Base Juno

Disc Base Juno Finishes

Designed to mix and match, Disc Base Juno's Mini Disc, Disc Base and Column can be powdercoated in any combination of Thinking Works' Standard or Seasonal Powdercoat Finishes.

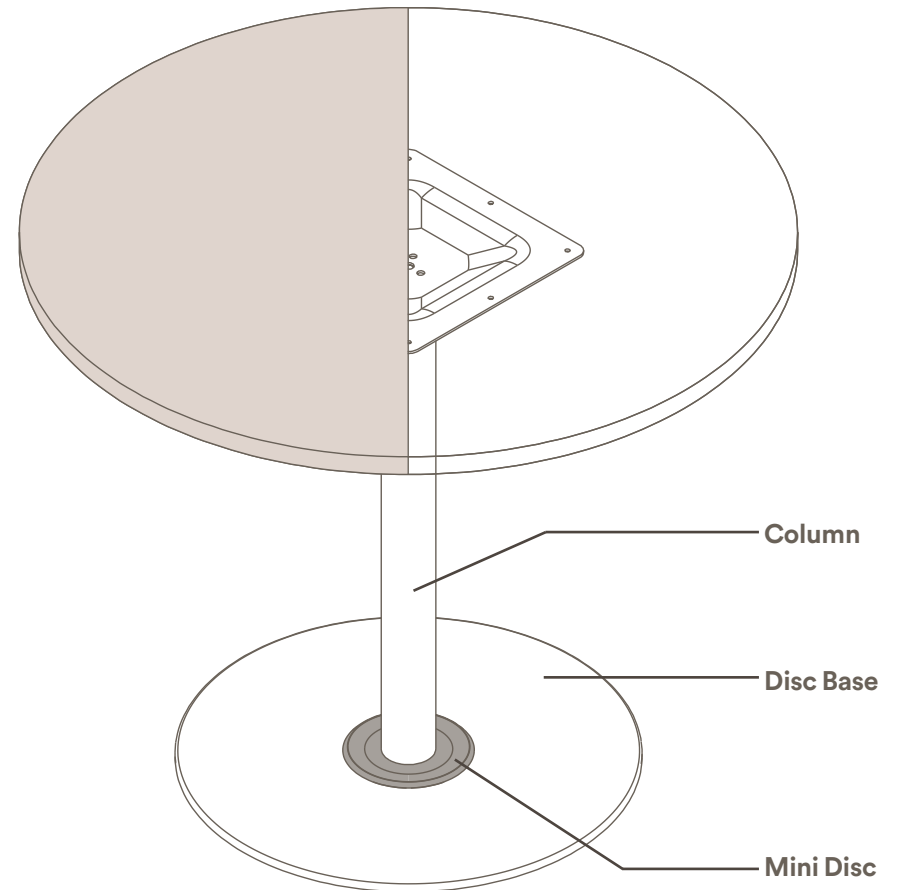
1. Standard Finishes

Disc Base Juno is available in Blanc and Noir as standard powdercoat finishes.



2. Seasonal Finishes

We offer Disc Base Juno in our current seasonal powdercoat finishes.



Colours are representative only, please check with your Thinking Works consultant to view samples of any specific colour.

Tables

Round / Square

Materials Information

Column & Base Finish

Steel Column and Base

- a. Blanc
- b. Noir
- c. Double Cream
- d. Pink Salt
- e. Nocturnelle
- f. Morello
- g. Scotland Sky
- h. Green Smoke
- i. Moonshine
- j. Byron Blue
- k. Axel

Top Horn Finish

Steel Top Horn

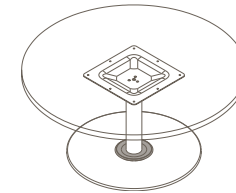
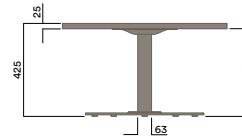
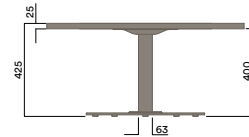
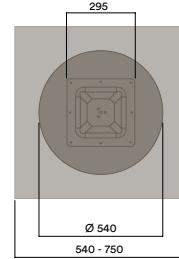
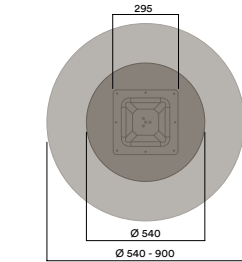
- a. Black Powdercoat

* Custom Height available please check with your ThinkingWorks consultant.

Maximum inc. worktop 20kg
 Maximum Point Load 30kg
 Seats 1-3

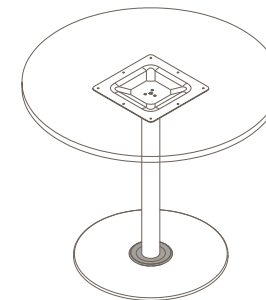
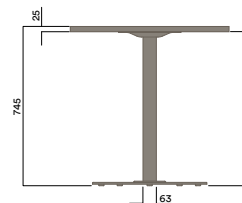
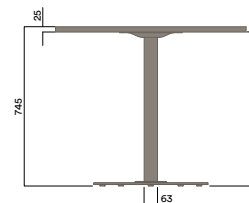
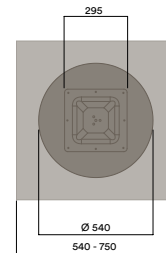
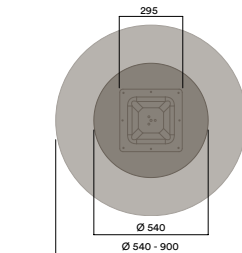
DBJ-1540-CT

425 (Coffee Table Height)



DBJ-1540

745 (Standard Height)



Tables

Round / Square

Materials Information

Column & Base Finish

Steel Column and Base

- a. Blanc
- b. Noir
- c. Double Cream
- d. Pink Salt
- e. Nocturnelle
- f. Morello
- g. Scotland Sky
- h. Green Smoke
- i. Moonshine
- j. Byron Blue
- k. Axel

Top Horn Finish

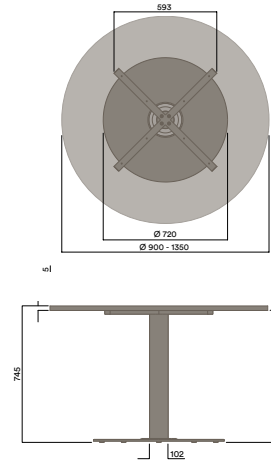
Steel Top Horn

- a. Black Powdercoat

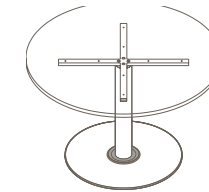
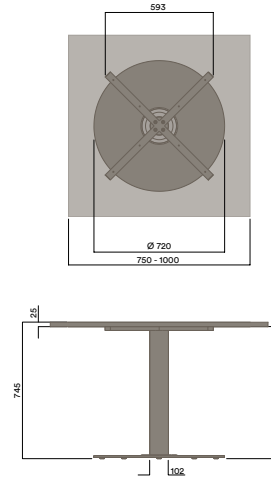
* Custom Height available please check with your ThinkingWorks consultant.

Maximum inc. worktop 30kg
 Maximum Point Load 30kg
 Seats 1-4

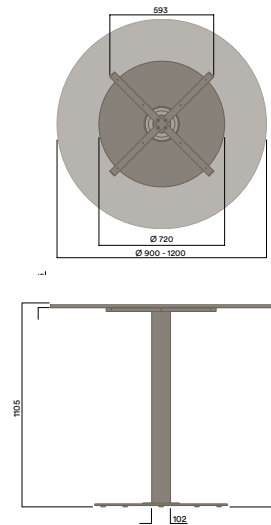
DBJ-1720



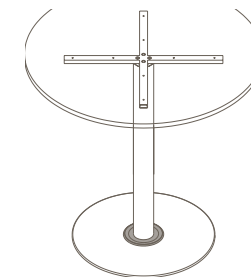
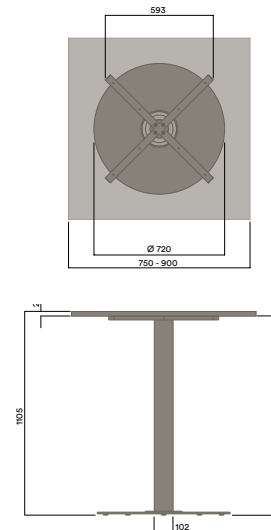
745 (Standard Height)



DBJ-1720-SH



1105 (Standing Height)



Tables

Round / Square

Materials Information

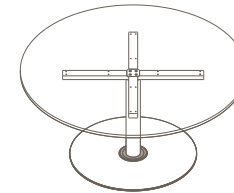
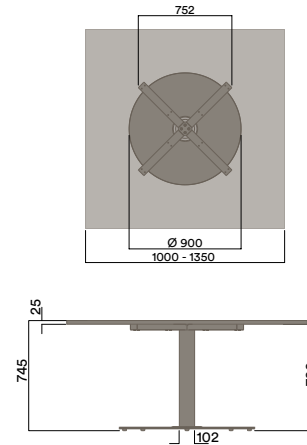
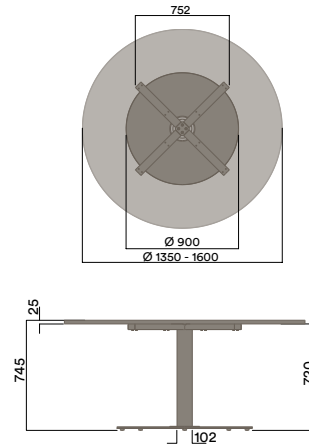
Column & Base Finish

Steel Column and Base

- a. Blanc
- b. Noir
- c. Double Cream
- d. Pink Salt
- e. Nocturnelle
- f. Morello
- g. Scotland Sky
- h. Green Smoke
- i. Moonshine
- j. Byron Blue
- k. Axel

DBJ-1900

745 (Standard Height)



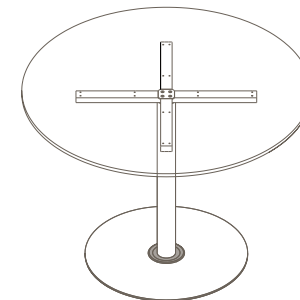
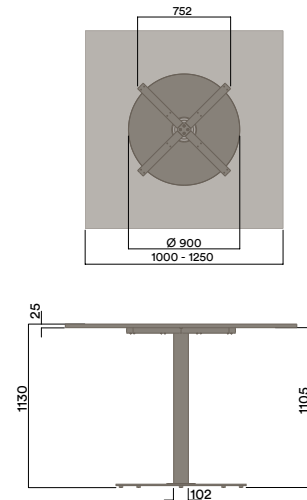
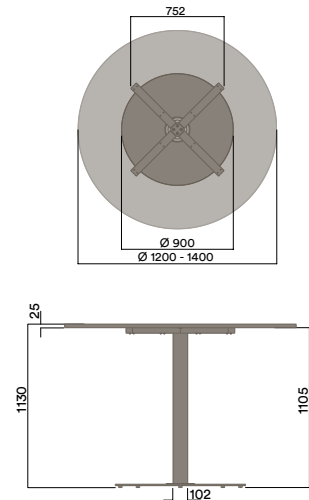
Top Horn Finish

Steel Top Horn

- a. Black Powdercoat

DBJ-1900-SH

1130 (Standing Height)



* Custom Height available please check with your ThinkingWorks consultant.

Maximum inc. worktop 30kg
 Maximum Point Load 30kg
 Seats 1-4



Specification

If you would like a sample set of any of our finishes, please call us on 61 (0)2 9726 7177 or e-mail at sales@thinkingw.com.

Due to our policy of continuous product development, specifications and finishes may change without prior notice.

Sustainability Policy

We realise the importance of responsible business practices and have in place numerous product and company sustainability certifications. We would encourage you to download our annual Sustainability Report from the Thinking Works website to get a full overview of our sustainability program.

Thinking Works
© Copyright 2023
All right reserved

Thinking Works
15-23 Helles Avenue
Moorebank
New South Wales 2170

www.thinkingw.com
61 (0)2 9726 7177
sales@thinkingw.com