

Case

Technical sheet

WENDELBO



Case / Continuum of comfort

Resting atop an elegant wooden base, simple and slender lines leave the Case collection with a stringent and light expression without compromising on the comfort and function of the design. The collection features three sofa designs and well as two Case Hubs, breathing the cocooning comfort and calmness of the home into the realms of workplace and hospitality settings.

DESIGNER

Sebastian Herkner

CATEGORY

High back sofas
Sofas
Hubs

TEST

EN 16139
GB
BIFMA

ASSEMBLY

Follow instructions for assembly of sofa and table

BASE

Black stained solid oak



STRUCTURE INTERIOR

Frame made of solid wood, steel and MDF with nozag spring system

STRUCTURE PADDING

High-resilient, polyurethane foam

SEAT CUSHION

High-resilient, polyurethane foam with dacron padding

BACK CUSHION

High-resilient, polyurethane foam with dacron padding

COVER

Removable back and seat cushion cover.
Side cushion cover is not removable.

STEEL TABLE

Black powder-coated steel.
The table can be mounted in either the middle, right or left side

WOODEN TABLE

MDF with oak veneer



MAINTENANCE

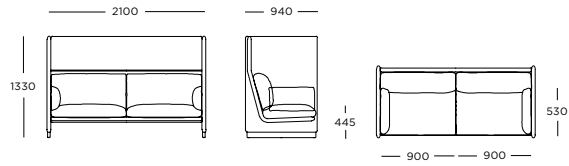
To ensure the longevity of your product, please follow our care and maintenance guides. All guides can be downloaded at wendelbo.com/care

WARRANTY

5 years

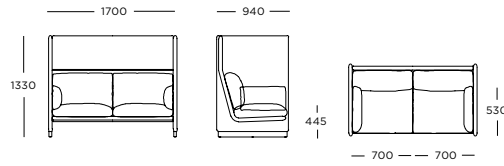
High back

2.5 seater



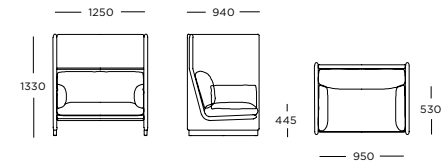
High back

2 seater



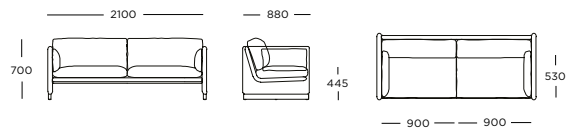
High back

1.5 seater



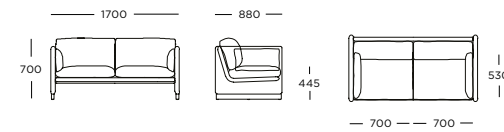
Low back

2.5 seater



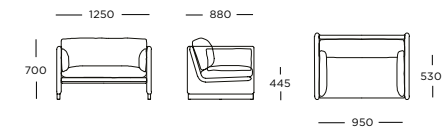
Low back

2 seater



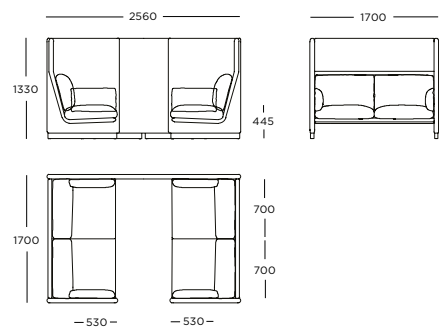
Low back

1.5 seater



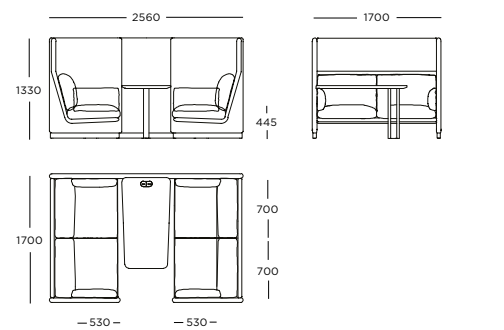
Combi

2 seater



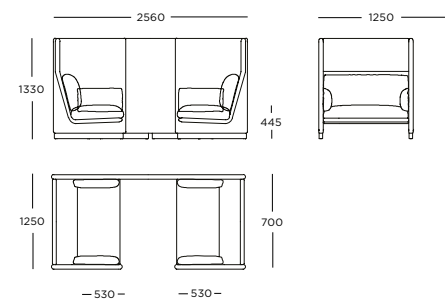
Combi

2 seater with wooden table



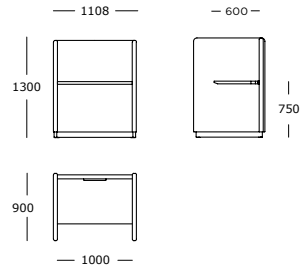
Combi

1.5 seater



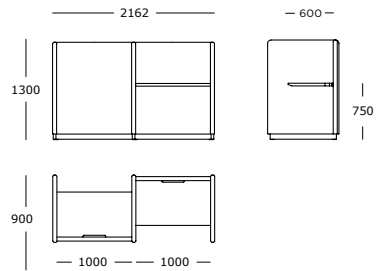
Case Hub

V1



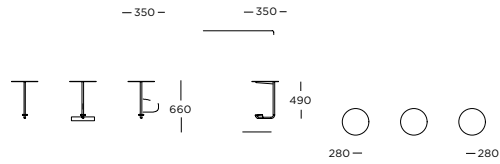
Case Hub

V2

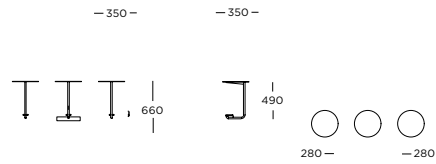


Additional | Mounted table, plug and USB charger

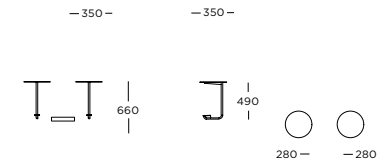
High back / Low back
2.5 seater



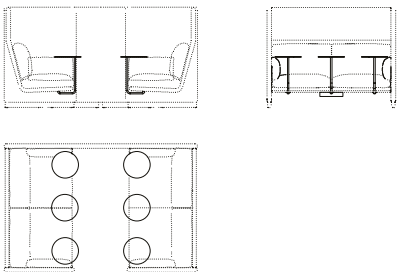
High back / Low back
2 seater



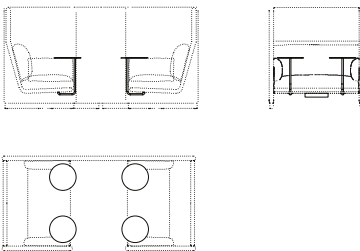
High back / Low back
1.5 seater



Combi
2 seater



Combi
1.5 seater



Plug and USB charger
307 x 52 mm

